



INTERNATIONAL CENTRE FOR AUTOMOTIVE TECHNOLOGY

[A Division of NATRIP Implementation Society (NATIS), Govt. of India]

C A O A 0122 L01

Date : 24th December 2019

CERTIFICATE

FOR LAYOUT PLAN APPROVAL

Cert	Brief	Dwg	Total
03	--	60	63 Pgs

COMPLIANCE TO THE CENTRAL MOTOR VEHICLES RULES

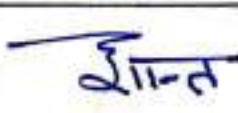



1. In continuation to CMVR Certificate issued to the CNG kit manufacturer for the vehicle model referred below, verification of the **Layout Plan** submitted by the kit manufacturer for fitment of the same CNG kit on vehicle models given in "Annexure - II".

Reference TA Certificate	CNG Kit Manufacturer		
1. C A O A 0122 Dt. 28.05.2019	M/s.Livon Gas Equipments Plot Number 32, Vishwakarma complex, Behind JAV Forging, Bhakhari Pail Road, Faridabad-121 004		
CNG Kit Identification	Type	Engine cm ³ Range	
LIVON GAS SEQ 02	Passenger Car	898.5 to 1497.5	
MPFI, "In-Use" Base Model	Year of Manufacture	Engine cm ³	GVW (kg)
Honda Brio SMT	November 2013	1198	1430

2. The In-Use CNG converted base model "Honda Brio SMT", when fitted with Catalytic Converter, meets Bharat Stage - IV norms. Same kit can therefore be fitted to MPFI, "In-Use" base models given at "ANNEXURE-II", as they are within prescribed $\pm 25\%$ cm³ range.

Sr. No.	MPFI, "In-Use" Base Model	Engine cm ³	Type	Vintage of Vehicles
Refer Annexure - II				

3. It is certified that retrofitment of above CNG kit on the base models given at "ANNEXURE-II", as per the LAYOUT PLAN, submitted by the kit installer, comply with the provisions of the Central Motor Vehicles Rules 1989, under Rule 115B (1), Explanations (g), as amended up-to-date.
4. This Certificate is issued as per CMV Rule 126, to establish compliance with the Central Motor Vehicles Rules, 1989 and shall not be construed as a certificate of compliance to any rules other than those listed in ANNEXURE-I of the certificate above reference. Compliance to these rules has been verified based on the use of specific components/parts/assemblies etc. based on which type approval is given. It is the **Kit Installer's** responsibility to ensure fitment of same components/parts/assemblies etc. before submission of the vehicle for registration.
5. All conditions and compliance requirements including validity, given in the certificate issued for "In-Use" base model "Honda Brio SMT (1198 cm³ - November 2013 make)," are also applicable for the MPFI, "In-Use", base models given at ANNEXURE-II fitted with Catalytic Converter for which LAYOUT PLAN, is enclosed at ANNEXURE-I.

Layout Ref No.	NA		
ICAT Ref No.	2019-2142; IOCS No: 74010	Please turn over for Disclaimer	
AUTHORISED SIGNATORY			
 ICAT PRASHANT VIJAY DEPUTY GENERAL MANAGER		 ICAT DINESH TYAGI DIRECTOR	 Page 1 of 3

C A O A 0122 L01

Date : 24th December 2019

ANNEXURE - II

Sr. No.	MPFI, "In-Use" Base Model	Engine cm ³	Type	Vintage of Vehicles
1	CHEVROLET BEAT	1199	Passenger Car	1 st April 2013 till the validity of Bharat Stage IV norms
2	CHEVROLET ENJOY	1399		
3	CHEVROLET SAIL (SEDAN)	1199		
4	CHEVROLET SAIL (HATCH BACK)	1199		
5	CHEVROLET SPARK	995		
6	DATSUN GO	1198		
7	DATSUN GO PLUS	1198		
8	DATSUN REDI GO	999		
9	FIAT AVVENTURA	1368		
10	FIAT GRAND PUNTO	1368		
11	FIAT LINEA	1368		
12	FIAT GRAND PUNTO	1172		
13	FORD ECOSPORT	999		
14	FORD FIGO	1196		
15	FORD FIGO ASPIRE	1196		
16	HONDA BR-V	1497		
17	HONDA CITY	1497		
18	HONDA WR-V	1199		
19	HONDA MOBILIO	1497		
20	HONDA JAZZ	1196		
21	HONDA AMAZE	1196		
22	HYUNDAI EON KAPPA MAGNA	998		
23	HYUNDAI i10 1.1	1086		
24	HYUNDAI i10 GRAND	1197		
25	HYUNDAI I-20 ACTIVE	1197		
26	HYUNDAI SANTRO	1086		
27	HYUNDAI XCENT	1197		
28	MAHINDRA KUV 100	1198		
29	HYUNDAI VERNA FLUIDIC 1.4	1396		
30	MARUTI CIAZ	1373		
31	MARUTI ERTIGA	1373		
32	MARUTI ALTO K10	998		
33	MARUTI ASTAR	998		
34	MARUTI BALENO	1197		
35	MARUTI CELERIO	998		
36	MARUTI EECO (5 SEATER)	1196		
37	MARUTI EECO (7 SEATER)	1196		
38	MARUTI EECO CARGO	1196		
39	MARUTI IGNIS	1197		
40	MARUTI RITZ	1197		

AUTHORISED SIGNATORY

 ICAT PRASHANT VIJAY DEPUTY GENERAL MANAGER		 ICAT DINESH TYAGI DIRECTOR	 Page 2 of 3
--	---	---	--

C A O A 0122 L01

Date : 24th December 2019

ANNEXURE - E_(contd.)

Sr. No.	MPFI, "In-Use" Base Model	Engine cm ³	Type	Vintage of Vehicles
41	MARUTI SWIFT	1197	Passenger Car	1 st April 2013 till the validity of Bharat Stage IV norms
42	MARUTI SWIFT DZIRE	1197		
43	MARUTI DZIRE TOUR S	1197		
44	MARUTI WAGON R	998		
45	MARUTI WAGON R STINGRAY	998		
46	NISSAN MICRA	1198		
47	RENAULT KWID 1.0	999		
48	RENAULT PULSE	1198		
49	SKODA FABIA	1198		
50	TATA NEXON	1198		
51	TATA TIAGO	1199		
52	TATA TIGOR	1199		
53	TATA ZEST	1193		
54	TOYOTA ETIOS LIVA	1197		
55	TOYOTA ETIOS CROSS G	1197		
56	TOYOTA ETIOS CROSS V	1496		
57	TOYOTA ETIOS	1496		
58	VOLKSWAGEN AMEO	1198		
59	VOLKSWAGEN POLO	1198		
60	VOLKSWAGEN VENTO	1197		

*** END OF DOCUMENT ***

AUTHORISED SIGNATORY

			
<p>ICAT PRASHANT VIJAY DEPUTY GENERAL MANAGER</p>		<p>ICAT DINESH TYAGI DIRECTOR</p>	<p>Page 3 of 3</p>

Innovation • Service • Excellence

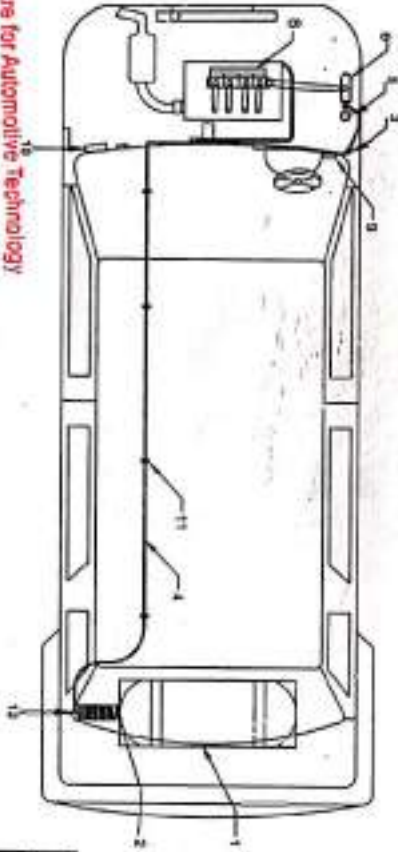
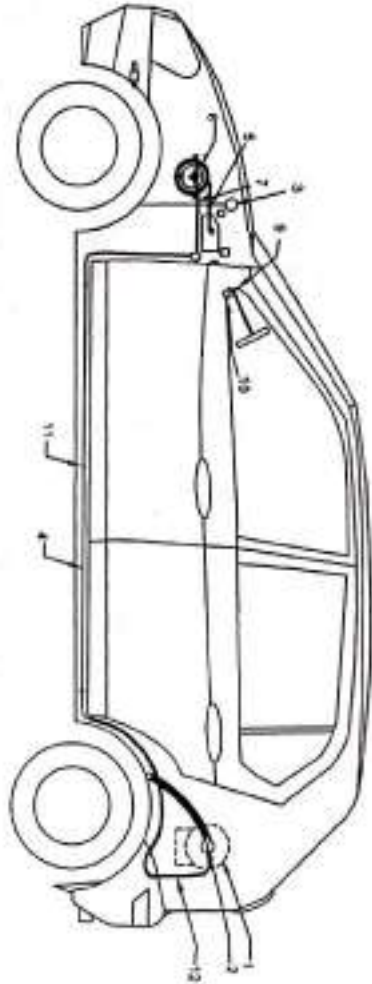
International Centre for Automotive Technology

(U.K. Bhai)
Advisor VET



For Livon Gas Equipments

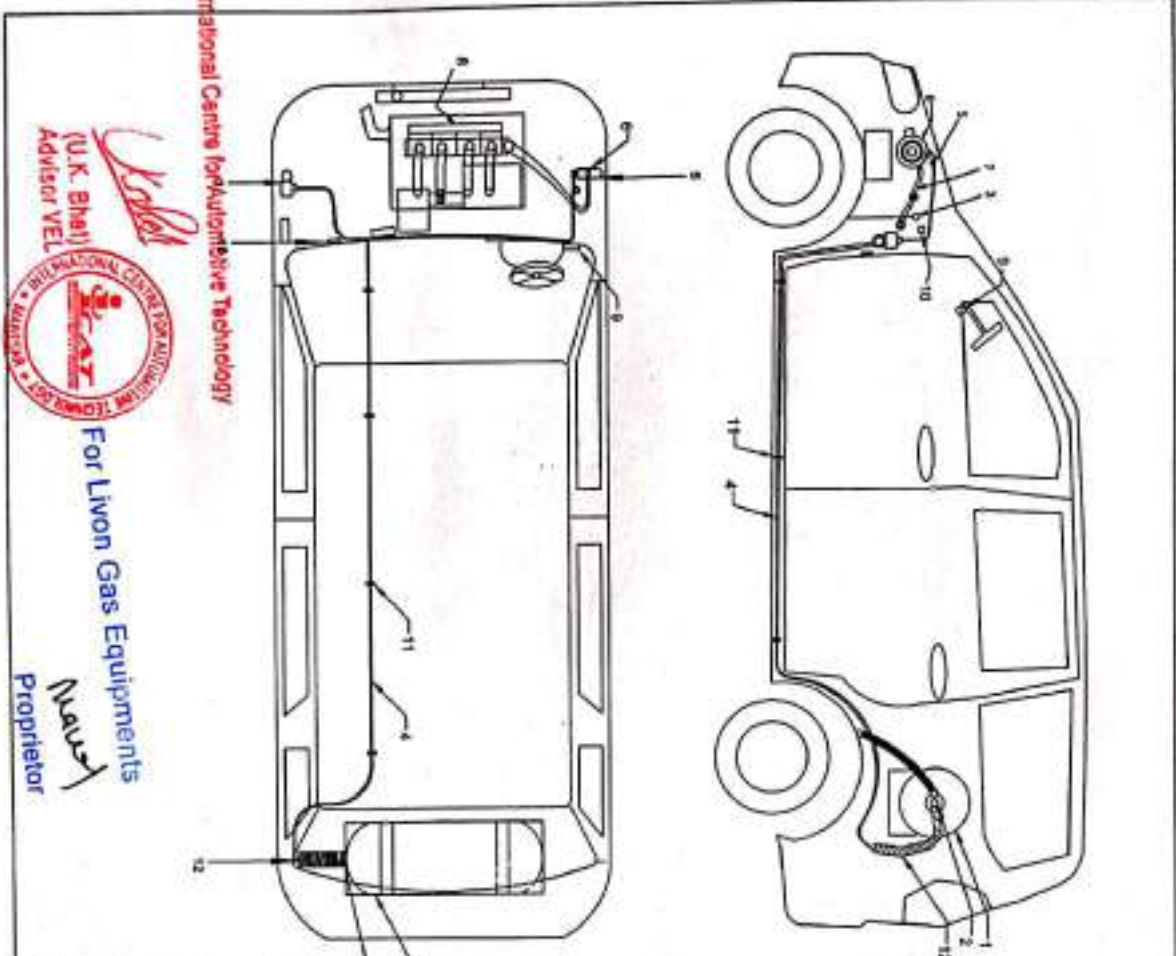
Proprietor



12	CONDUIT PIPE
11	CLAMP
10	ELECTRONIC CONTROL UNIT
9	CHANGE -OVER SWITCH
8	GAS INJECTOR
7	LOW PRESSURE HOSE
6	CNG REGULATOR
5	PRESSURE GAUGE
4	HIGH PRESSURE PIPE
3	REFILLING VALVE
2	CNG CYLINDER VALVE
1	CNG CYLINDER

ITEM - (ALL DIMENSIONS ARE IN mm)		ENGINE CC :- 1199
LIVON GAS EQUIPMENTS FARIDABAD		VARIANT :- CHEVROLET BEAT
DRIVEN BY	CHECKED BY	DATE :- 01/12/2019
PROVEN	APPROVED BY	DRAWING NO :- LGE001
STAMP	NOT TO SCALE	LAYOUT DESIGNED FOR CHEVROLET BEAT DR01
REVISION :- 00	SHEET :- 1 OF 1	DATE OF ESTIMATION :- 00/00/2000

International Centre for Automotive Technology



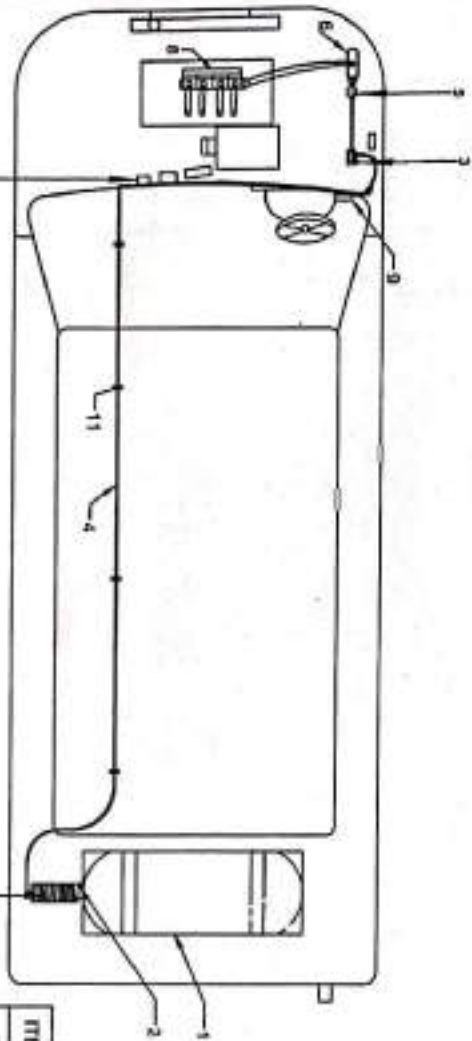
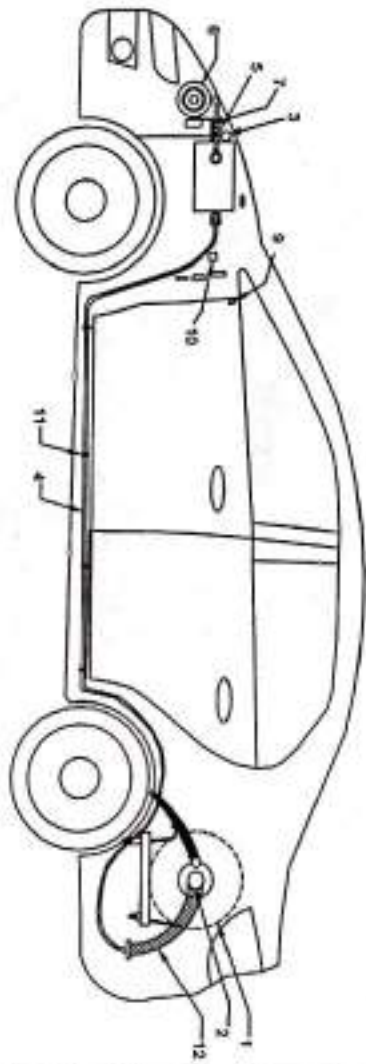
(U.K. Shah)
Advisor VET



For Livon Gas Equipments
Proprietor

12	CONDUIT PIPE
11	CLAMP
10	ELECTRONIC CONTROL UNIT
9	CHANGE -OVER SWITCH
8	GAS INJECTOR
7	LOW PRESSURE HOSE
6	CNG REGULATOR
5	PRESSURE GAUGE
4	HIGH PRESSURE PIPE
3	REFILLING VALVE
2	CNG CYLINDER VALVE
1	CNG CYLINDER

ITEM - (ALL DIMENSIONS ARE IN mm)		ENGINE CC :- 1300
LIVON GAS EQUIPMENTS		
FARIDABAD		
DESIGN BY	CHECKED BY	APPROVED BY
PRASVEEN	SUDJAY BANSAL	NAWAZ ABBAS/AMAL
DATE:-01/12/2019		DRAWING NO :- LGEC002
DRAWING NO :- LGEC002		NOT TO SCALE
LAYOUT DRAWING FOR CHEVROLET ENJOY GSD4		
SHEET :- 1 OF 1		
REVISION :- 001		



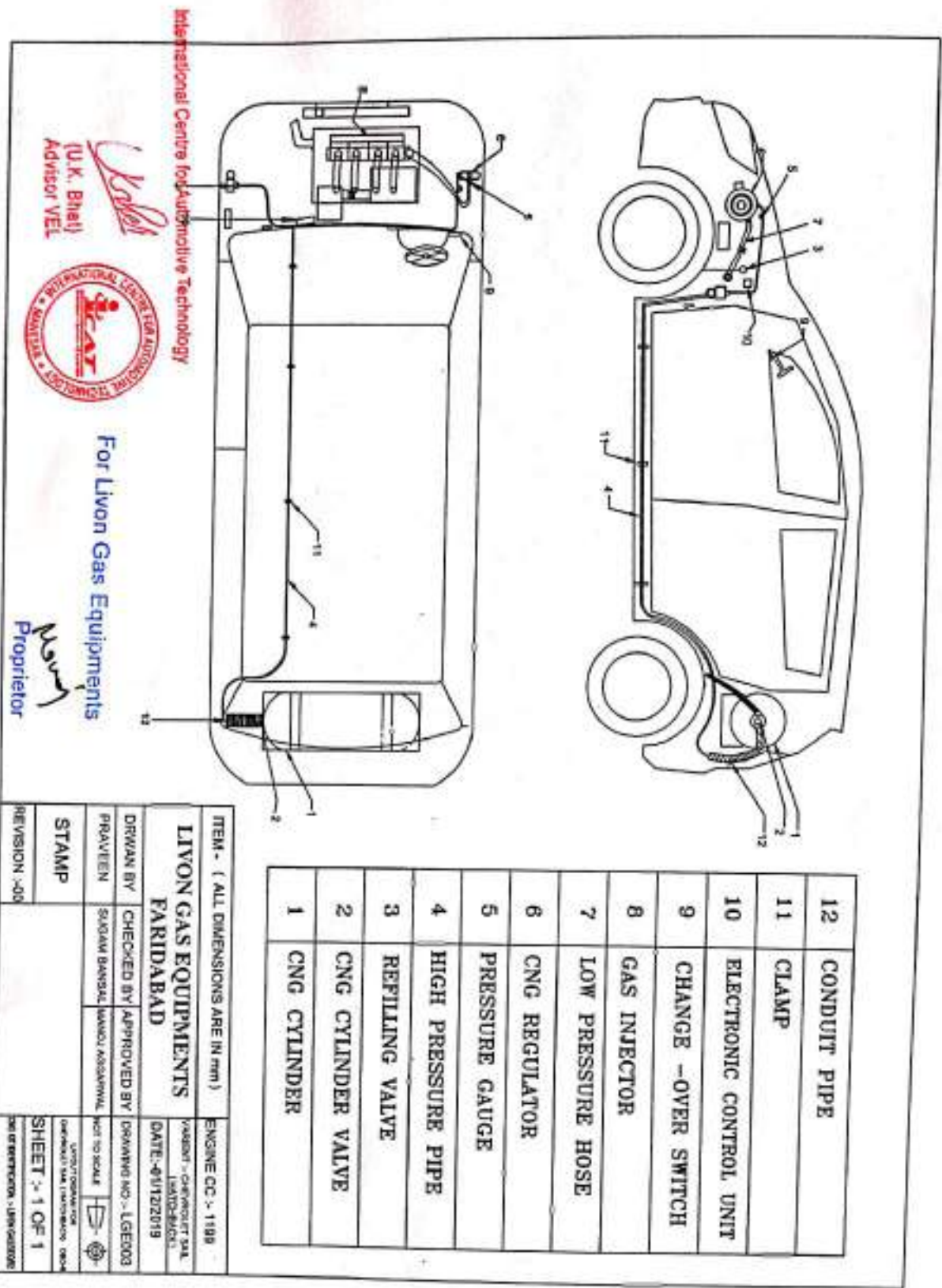
12	CONDUIT PIPE
11	CLAMP
10	ELECTRONIC CONTROL UNIT
9	CHANGE - OVER SWITCH
8	GAS INJECTOR
7	LOW PRESSURE HOSE
6	CNG REGULATOR
5	PRESSURE GAUGE
4	HIGH PRESSURE PIPE
3	REFILLING VALVE
2	CNG CYLINDER VALVE
1	CNG CYLINDER

ITEM - (ALL DIMENSIONS ARE IN mm)		ENGINE CC > 1199
LIVON GAS EQUIPMENTS		WARRANTY CHECKSET VAL (50000)
FARIDABAD		DATE:-01/12/2019
DRAWN BY	CHECKED BY	APPROVED BY
PRAVEEN	SUDAM BANERJAL	MANOJ AGARWAL
STAMP	DRAWING NO :- LGE004	
REVISION :00	NOT TO SCALE	
	LAYOUT PREPARED FOR CHECKSET VAL (50000) (0004)	
	SHEET :- 1 OF 1	
	Dwg. No. LGE004 - 0004	

International Centre for Automotive Technology
 (U.K. Bhat)
 Advisor VEL



For Livon Gas Equipments
 Proprietor



12	CONDUIT PIPE
11	CLAMP
10	ELECTRONIC CONTROL UNIT
9	CHANGE -OVER SWITCH
8	GAS INJECTOR
7	LOW PRESSURE HOSE
6	CNG REGULATOR
5	PRESSURE GAUGE
4	HIGH PRESSURE PIPE
3	REFILLING VALVE
2	CNG CYLINDER VALVE
1	CNG CYLINDER

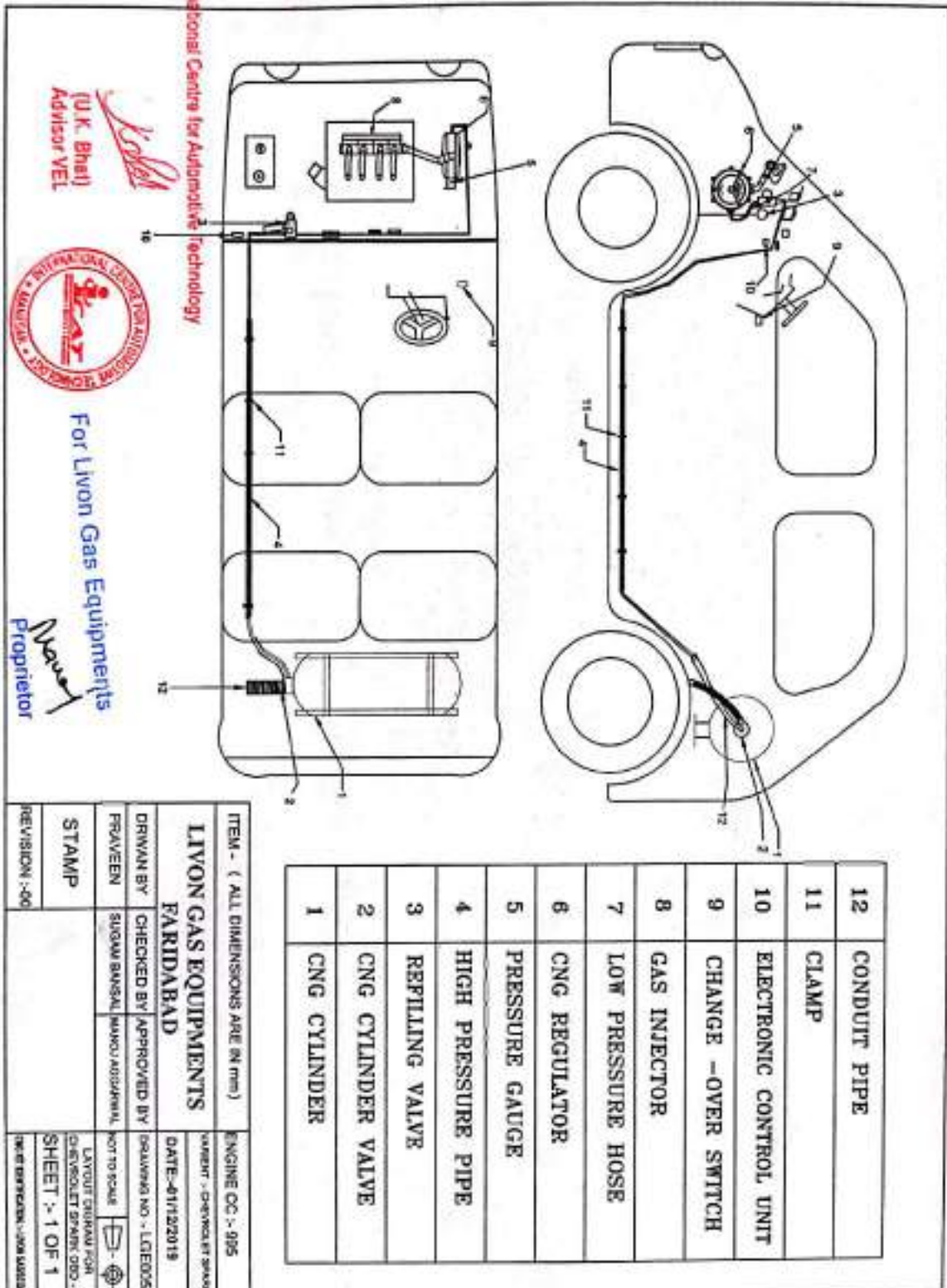
ITEM - (ALL DIMENSIONS ARE IN MM)		ENGINE CC - 1199
LIVON GAS EQUIPMENTS		Model - Chevrolet Sail
FARIDABAD		Location -
DATE:-01/12/2019		
DRWAN BY	CHECKED BY	APPROVED BY
PRAVIEN	SADAM BANSAL	NANOU ASSANWAL
DRAWING NO. :- LGE003	NOT TO SCALE	
DATE:-01/12/2019	SHEET :- 1 OF 1	
REVISION :-05	JOB REFERENCE :- 159/2019	

VEL
(U.K. Bhali)
Advisor VEL



For Livon Gas Equipments
Pravien
Proprietor

International Centre for Automotive Technology



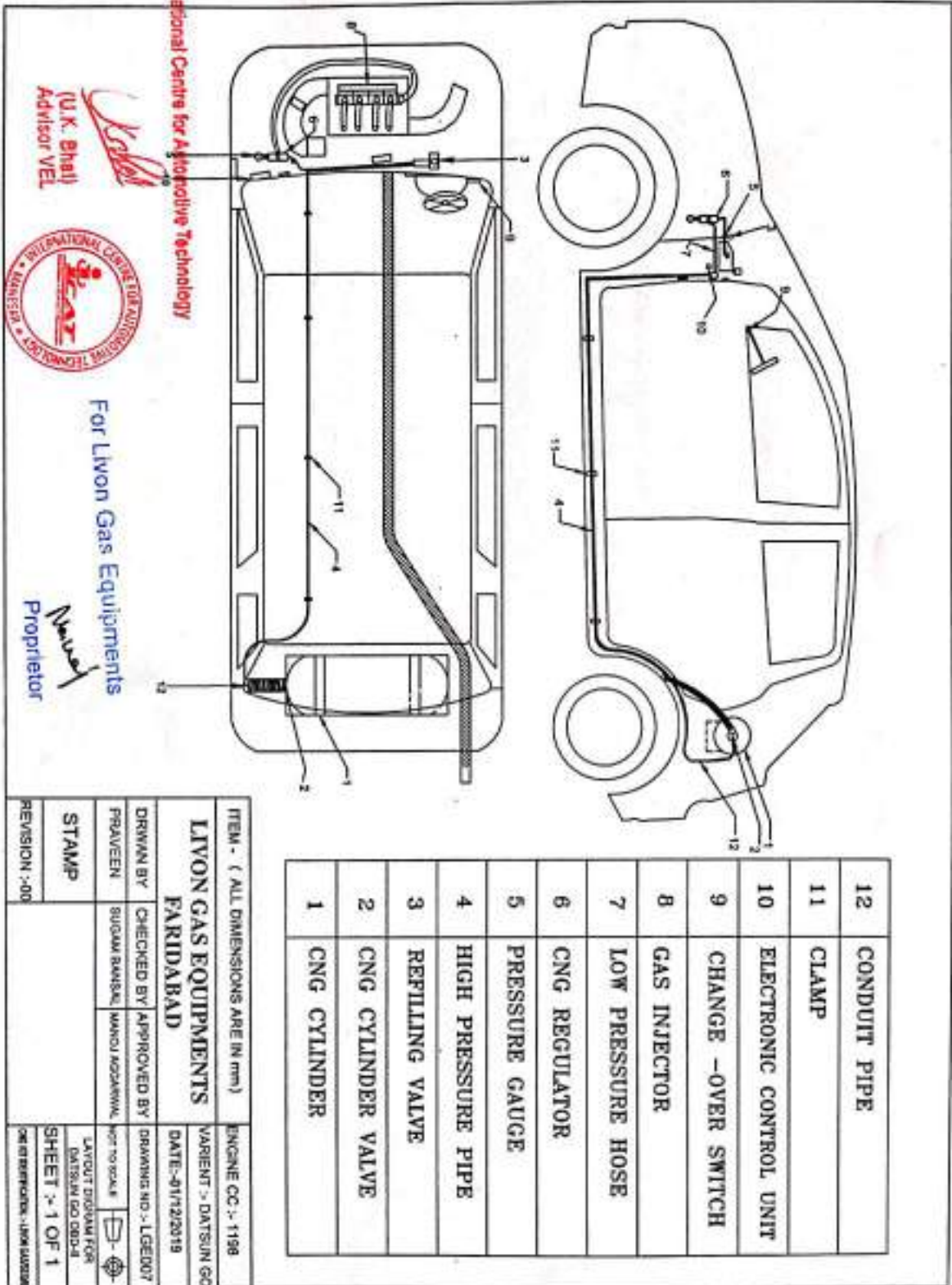
International Centre for Automotive Technology

(U.K. Bhai)
Advisor VET



For Livon Gas Equipments
Proprietor

ITEM - (ALL DIMENSIONS ARE IN mm)		ENGINE CC :- 995
LIVON GAS EQUIPMENTS		DATE :- 01/12/2019
FARIDABAD		DESIGNER NO. :- LGE005
DESIGNED BY	CHECKED BY	APPROVED BY
PROVAEN	SUGAM BANSAL	MANOJ AGGARWAL
NOT TO SCALE		LAYOUT ORIGINATOR
STAMP		CHEVROLET SPARK 000-4
REVISION :-00		SHEET :- 1 OF 1
		DATE OF REVISION :-00/00/00



International Centre for Alternative Technology

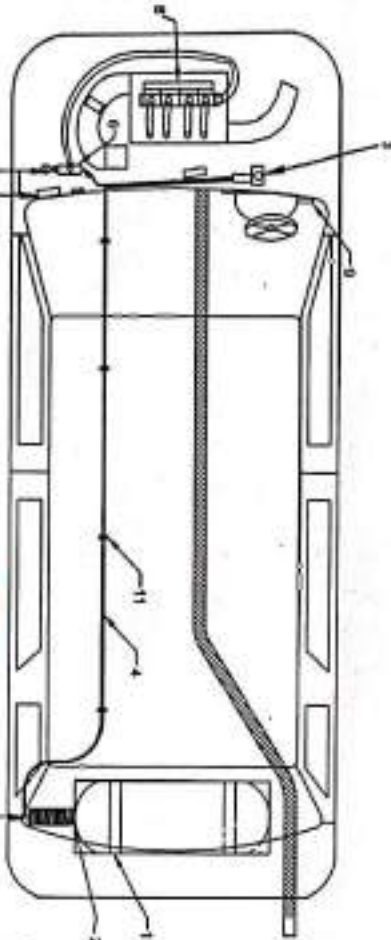
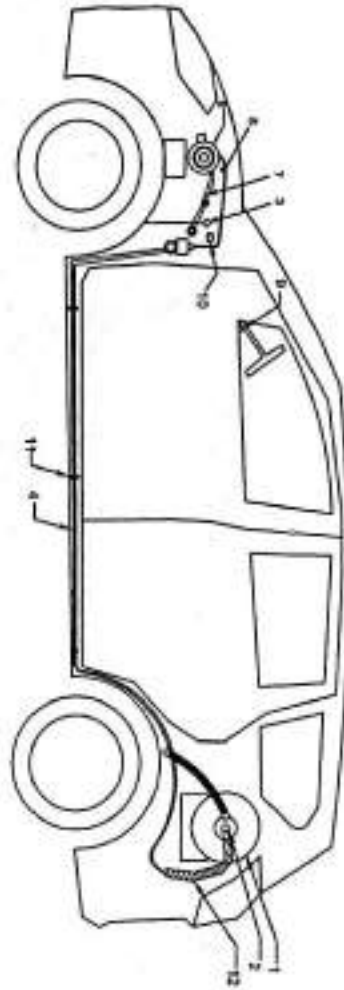
(U.K. Bhai)
Advisor VEL



For Livon Gas Equipments

Proprietor

ITEM - (ALL DIMENSIONS ARE IN mm)		ENGINE CC :- 1198
LIVON GAS EQUIPMENTS		VARIANT :- DATSUN GD
FARIDABAD		DATE :- 01/12/2019
DRIVEN BY	CHECKED BY	APPROVED BY
PRAVEEN	SUGAM BANSAL	MANOJ KODAMWAL
STAMP	DRAWING NO :- LGE007	
REVISION :- 00	SHEET :- 1 OF 1	
	LAYOUT DRAWING FOR DATSUN GD DDD-1	
	DATE OF PREPARATION :- 12/01/2019	



12	CONDUIT PIPE
11	CLAMP
10	ELECTRONIC CONTROL UNIT
9	CHANGE - OVER SWITCH
8	GAS INJECTOR
7	LOW PRESSURE HOSE
6	CNG REGULATOR
5	PRESSURE GAUGE
4	HIGH PRESSURE PIPE
3	REFILLING VALVE
2	CNG CYLINDER VALVE
1	CNG CYLINDER

ITEM - (ALL DIMENSIONS ARE IN mm)		ENGINE CC > 1150
LIVON GAS EQUIPMENTS FARIDABAD		VARIANT - PARTIAL 50 PLUS
DESIGN BY	CHECKED BY	DATE: 07/12/2019
PRAYEEN	SUCAM BANISAL	DRAWING NO - LGE008
	APPROVED BY	NOT TO SCALE
STAMP		LAYOUT DESIGNED FOR
REVISION -00		DATE: 09/11/2019
		SHEET - 1 OF 1
		DATE: 09/11/2019

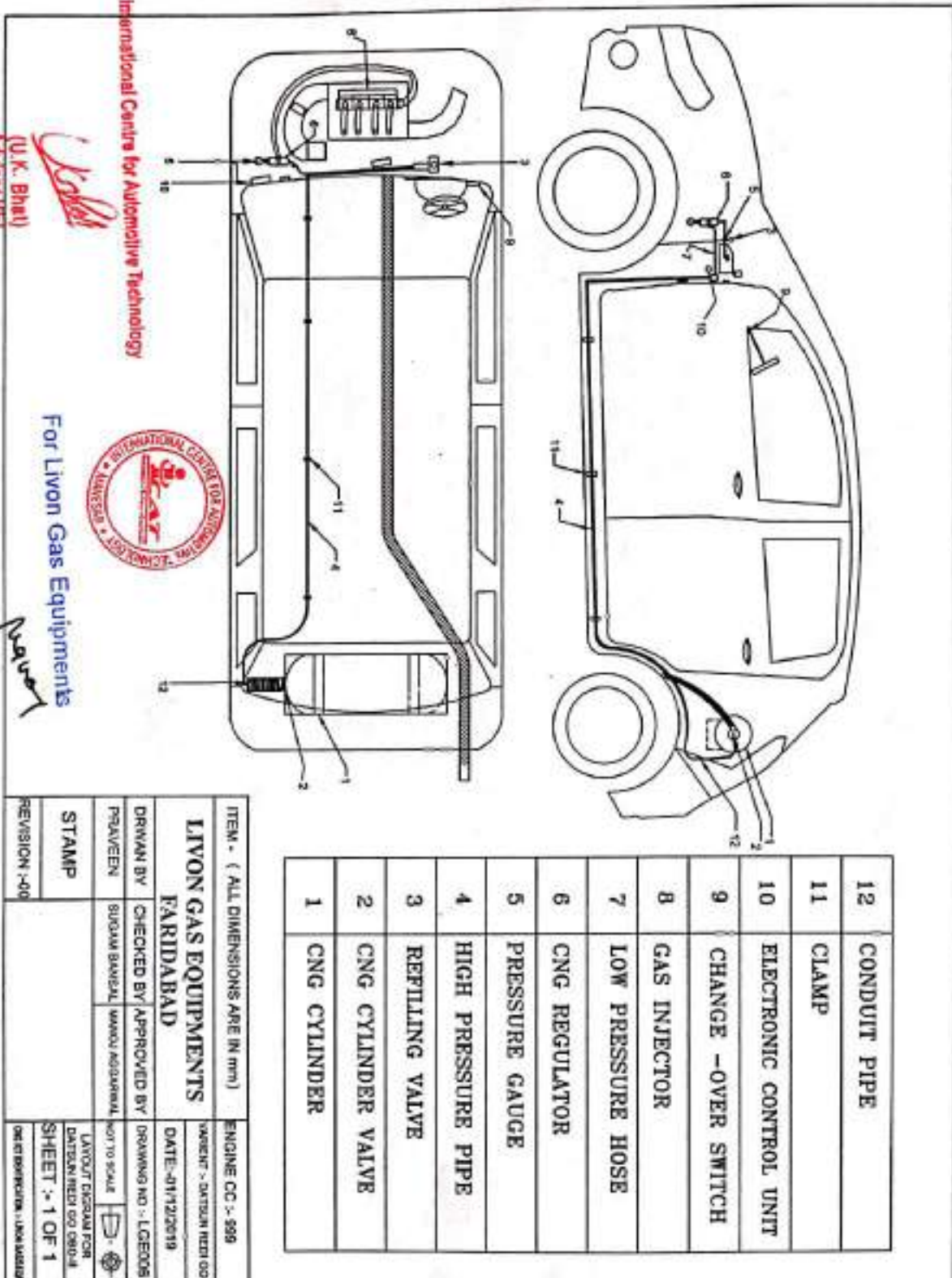
International Centre for Alternative Technology
 (U.K. Bhat)
 Advisor VET



For Livon Gas Equipments

Navya

Proprietor



12	CONDUIT PIPE
11	CLAMP
10	ELECTRONIC CONTROL UNIT
9	CHANGE -OVER SWITCH
8	GAS INJECTOR
7	LOW PRESSURE HOSE
6	CNG REGULATOR
5	PRESSURE GAUGE
4	HIGH PRESSURE PIPE
3	REFILLING VALVE
2	CNG CYLINDER VALVE
1	CNG CYLINDER

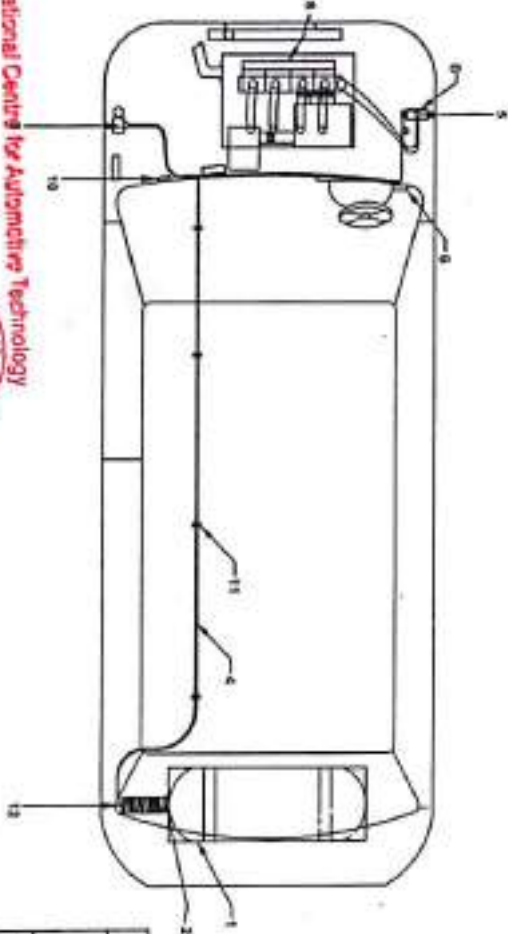
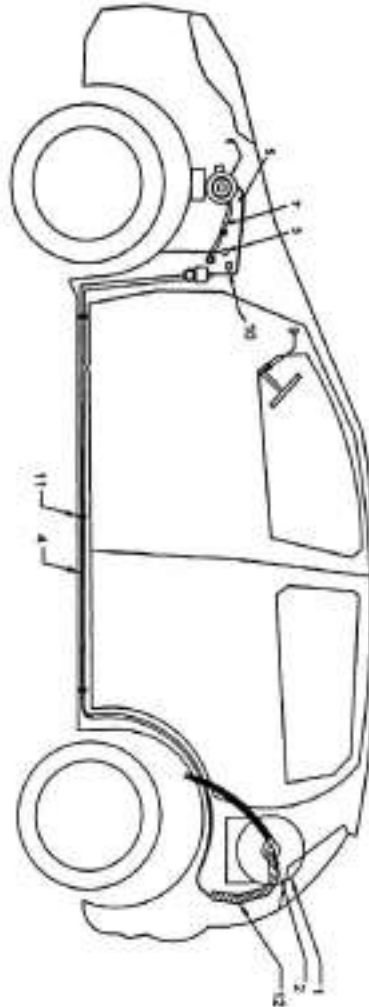
ITEM - (ALL DIMENSIONS ARE IN mm)		ENGINE CC :- 599
LIVON GAS EQUIPMENTS		DRAWING NO :- LC0008
FARIDABAD		DATE :- 01/12/2019
DRAWN BY	CHECKED BY	APPROVED BY
PRALVEEN	SUGAM BANSAL	MANOJ AGARWAL
STAMP		LAYOUT DESIGNER FOR DATSUN MERI 000
REVISION :-00		SHEET :- 1 OF 1

International Centre for Automotive Technology
(U.K. Bhai)
Advisor VET



For Livon Gas Equipments

Proprietor



12	CONDUIT PIPE
11	CLAMP
10	ELECTRONIC CONTROL UNIT
9	CHANGE -OVER SWITCH
8	GAS INJECTOR
7	LOW PRESSURE HOSE
6	CNG REGULATOR
5	PRESSURE GAUGE
4	HIGH PRESSURE PIPE
3	REFILLING VALVE
2	CNG CYLINDER VALVE
1	CNG CYLINDER

ITEM - (ALL DIMENSIONS ARE IN mm)		ENGINE CC :- 1368
LIVON GAS EQUIPMENTS		VARIANT :- FIAT AVVENTURA
FARIDABAD		DATE:-01/12/2019
DRAWN BY	CHECKED BY	APPROVED BY
PIRAVEEN	SUCRAN BANSAL	RAMOU MOHAMMAD
STAMP	NOT TO SCALE	
REVISION -00	LAYOUT DESIGN FOR FIAT AVVENTURA CROSS SHEET :- 1 OF 1	
	DATE OF ESTIMATION :- 01/12/2019	

International Centre for Automotive Technology
 (U.K. Bhai)
 ADVISOR VET



For Livon Gas Equipments

Proprietor

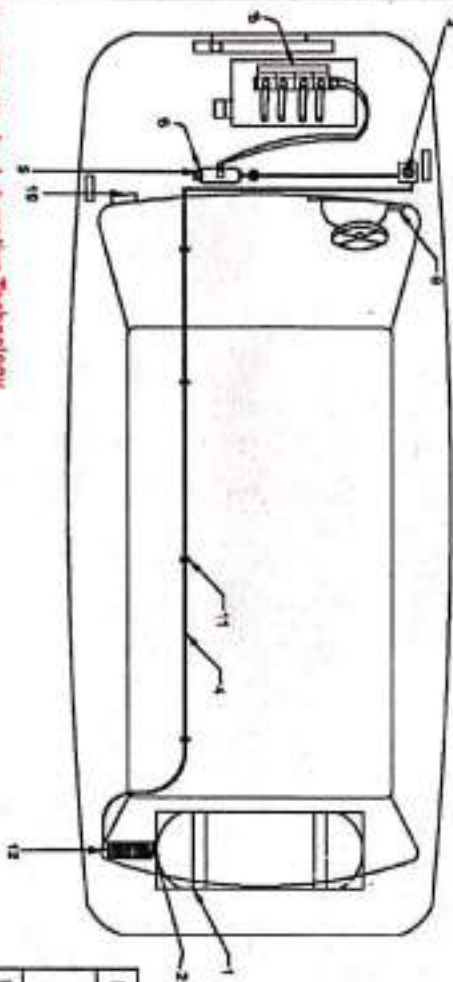
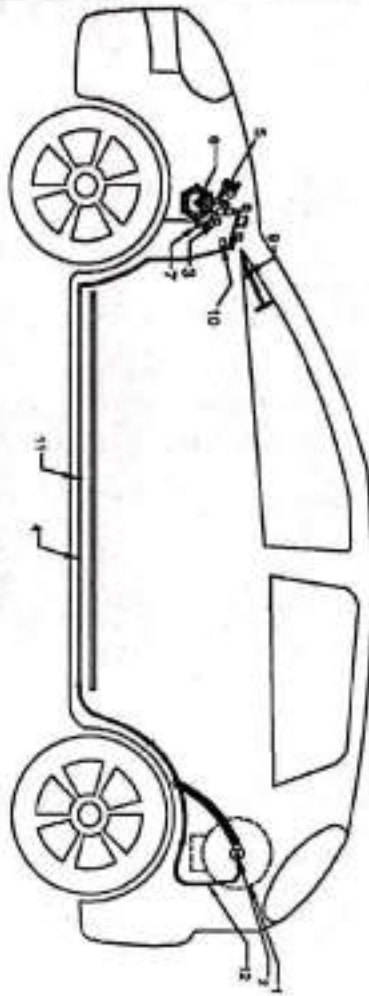
International Centre for Automotive Technology

(U.K. Bhai)
Advisor VET



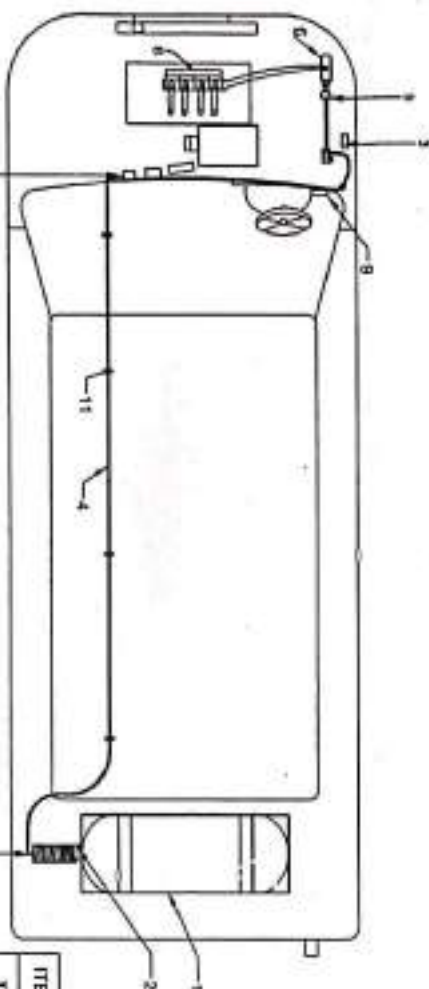
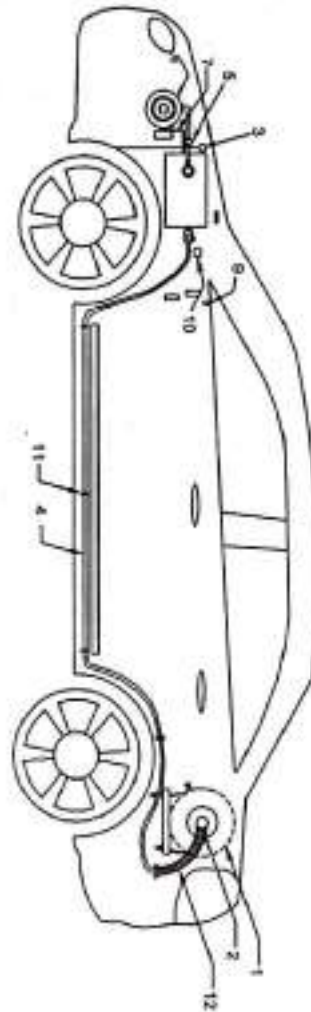
For Livon Gas Equipments

Proprietor



12	CONDUIT PIPE
11	CLAMP
10	ELECTRONIC CONTROL UNIT
9	CHANGE - OVER SWITCH
8	GAS INJECTOR
7	LOW PRESSURE HOSE
6	CNG REGULATOR
5	PRESSURE GAUGE
4	HIGH PRESSURE PIPE
3	REFILLING VALVE
2	CNG CYLINDER VALVE
1	CNG CYLINDER

ITEM - (ALL DIMENSIONS ARE IN mm)		ENGINE CC > 1300
LIVON GAS EQUIPMENTS		MADE IN INDIA
FARIDABAD		DATE: 01/12/2019
DRAWN BY	CHECKED BY / APPROVED BY	DRAWING NO - LGE012
PRAVEEN	SUDAM BANJAL / MANU AGRAWAL	NOT TO SCALE
STAMP		LIVON GAS EQUIPMENTS FOR PART NAME PARTS CODE
REVISION :00		SHEET :- 1 OF 1
		ON INTRODUCTION :- 20% SPACE



12	CONDUIT PIPE
11	CLAMP
10	ELECTRONIC CONTROL UNIT
9	CHANGE - OVER SWITCH
8	GAS INJECTOR
7	LOW PRESSURE HOSE
6	CNG REGULATOR
5	PRESSURE GAUGE
4	HIGH PRESSURE PIPE
3	REFILLING VALVE
2	CNG CYLINDER VALVE
1	CNG CYLINDER

ITEM - (ALL DIMENSIONS ARE IN mm)		ENGINE CC - 1388
LIVON GAS EQUIPMENTS		VARIANT - FIAT LINA
FARIDABAD		DATE - 01/12/2019
DRAWN BY	CHECKED BY	APPROVED BY
PRABEEN	SUDAM BHASKAR	MANOJ/AJAY/ANNA
STAMP	REVISION -00	DRAWING NO - LGE010
LAYOUT DESIGNED FOR FIAT LINA/GEORGE		SHEET - 1 OF 1
DRAWN TO SCALE		DATE OF APPROVAL - 15/01/2020

International Centre for Automotive Technology
 (U.K. Bhat)
 Advisor VET



For Livon Gas Equipments

Proprietor



International Centre for Automotive Technology
 (U.K. Bhai)
 Advisor VET

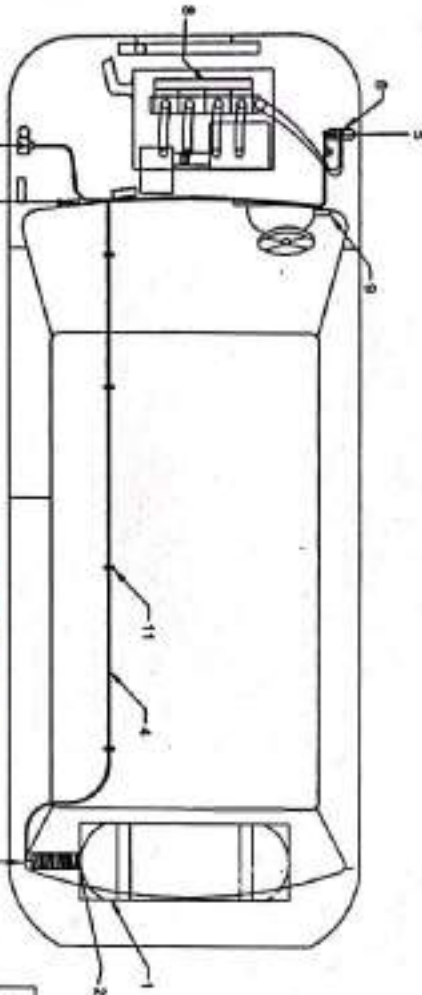
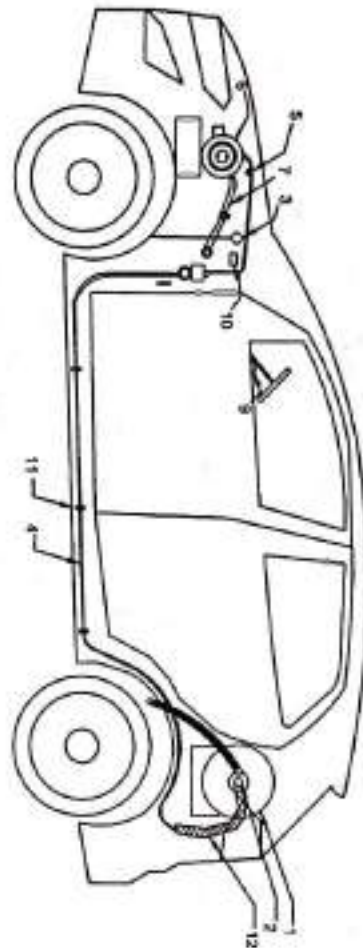


For Livon Gas Equipments

Proprietor

12	CONDUIT PIPE
11	CLAMP
10	ELECTRONIC CONTROL UNIT
9	CHANGE - OVER SWITCH
8	GAS INJECTOR
7	LOW PRESSURE HOSE
6	CNG REGULATOR
5	PRESSURE GAUGE
4	HIGH PRESSURE PIPE
3	REFILLING VALVE
2	CNG CYLINDER VALVE
1	CNG CYLINDER

ITEM - (ALL DIMENSIONS ARE IN mm)		ENGINE CC :- 1172
LIVON GAS EQUIPMENTS		
FARIDABAD		
DRAWN BY	CHECKED BY	APPROVED BY
PRINVEEN	SUDHAN SANSAL	SANJAY AGGARWAL
DATE :- 01/12/2019		DRAWING NO :- LGED011
SHEET :- 1 OF 1		DATE OF APPROVAL :- 05/04/20
REVISION :- 00		



12	CONDUIT PIPE
11	CLAMP
10	ELECTRONIC CONTROL UNIT
9	CHANGE -OVER SWITCH
8	GAS INJECTOR
7	LOW PRESSURE HOSE
6	CNG REGULATOR
5	PRESSURE GAUGE
4	HIGH PRESSURE PIPE
3	REFILLING VALVE
2	CNG CYLINDER VALVE
1	CNG CYLINDER

International Centre for Automotive Technology



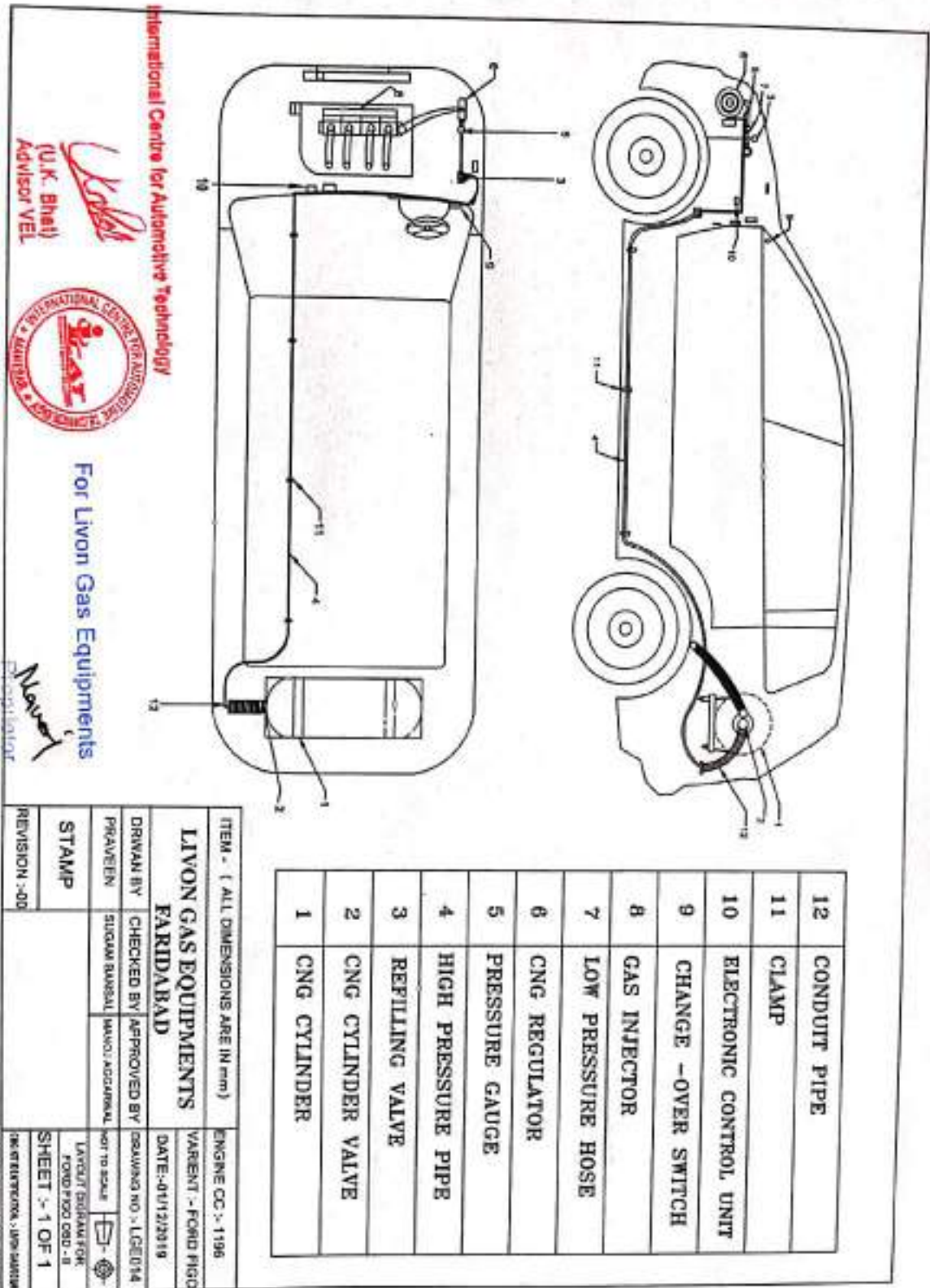
For Livon Gas Equipments

(Signature)
(U.K. Bhatt)
Advisor-VET

(Signature)

Proprietor

ITEM - (ALL DIMENSIONS ARE IN mm)		ENGINE CC :- 999
LIVON GAS EQUIPMENTS		VARIANT :- FORD ECOSPORT
FARIDABAD		DATE:-01/12/2019
DRAWN BY	CHECKED BY	APPROVED BY
PRABEEN	SUGAM BANSAL	MANOJ AGGARWAL
STAMP	LAYOUT DRAWING FOR FORD ECOSPORT ORDI	
REVISION :-00	SHEET :- 1 OF 1	
	DATE OF ESTIMATION :- LIVON GAS	

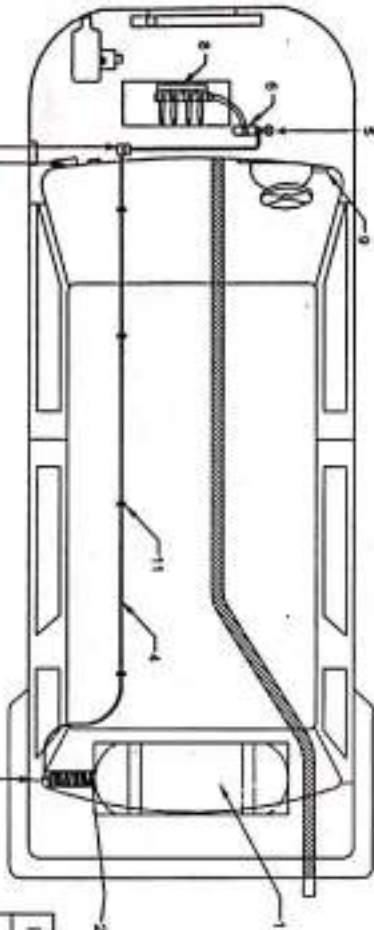
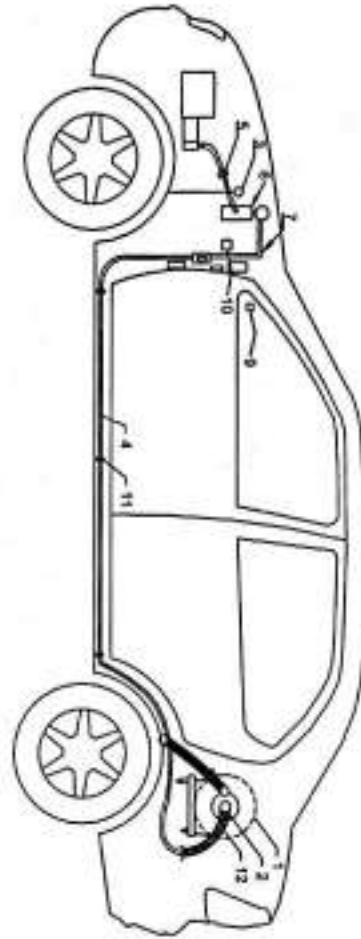


12	CONDUIT PIPE
11	CLAMP
10	ELECTRONIC CONTROL UNIT
9	CHANGE - OVER SWITCH
8	GAS INJECTOR
7	LOW PRESSURE HOSE
6	CNG REGULATOR
5	PRESSURE GAUGE
4	HIGH PRESSURE PIPE
3	REFILLING VALVE
2	CNG CYLINDER VALVE
1	CNG CYLINDER

ITEM - (ALL DIMENSIONS ARE IN mm)		ENGINE CC :- 1196
LIVON GAS EQUIPMENTS		VARIANT :- FORD FIGO
FARIDABAD		DATE:-01/12/2019
DRAWN BY	CHECKED BY	APPROVED BY
PROVISEEN	SUDAM BANSAL	MANOJ AGGARWAL
STAMP	DRAWING NO. :- LGE014	
REVISION :-00	SHEET :- 1 OF 1	
FOR REFERENCE :- JRD-SAMWA		

International Centre for Automotive Technology
 (U.K. Bhat)
 Advisor VET
 For Livon Gas Equipments
 Manoj Aggarwal





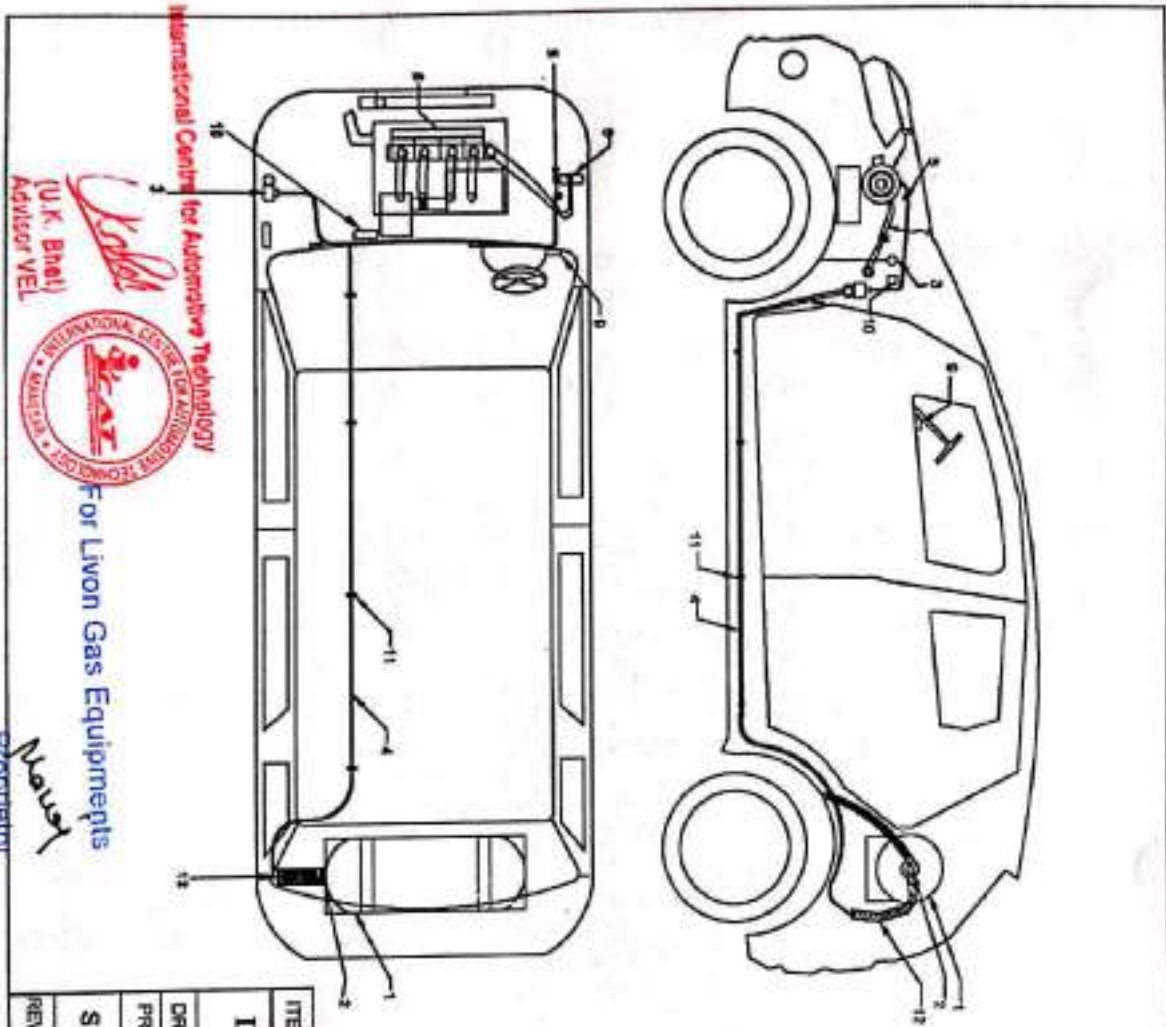
12	CONDUIT PIPE
11	CLAMP
10	ELECTRONIC CONTROL UNIT
9	CHANGE -OVER SWITCH
8	GAS INJECTOR
7	LOW PRESSURE HOSE
6	CNG REGULATOR
5	PRESSURE GAUGE
4	HIGH PRESSURE PIPE
3	REFILLING VALVE
2	CNG CYLINDER VALVE
1	CNG CYLINDER

ITEM - (ALL DIMENSIONS ARE IN mm)		ENGINE CC :- 1198
LIVON GAS EQUIPMENTS		WARRANT :- ROAD RISK ASSURED
FARIDABAD		DATE:-01/12/2019
DRAWN BY	CHECKED BY	APPROVED BY
PRAYVEEN	SUGAM BANSAL	MANOJ MEHARWAL
STAMP		DRAWING NO :- LGED015
REVISION -000		NOT TO SCALE
		LAYOUT DESIGNED FOR FORD F160 ASPINE 090L
		SHEET :- 1 OF 1
		DATE OF DEDUCTION :- UNDER REVISION

International Centre for Automotive Technology
(U.K. Bhai)
Advisor VET



For Livon Gas Equipments
Proprietor



U.K. Bhat
Advisor VEL



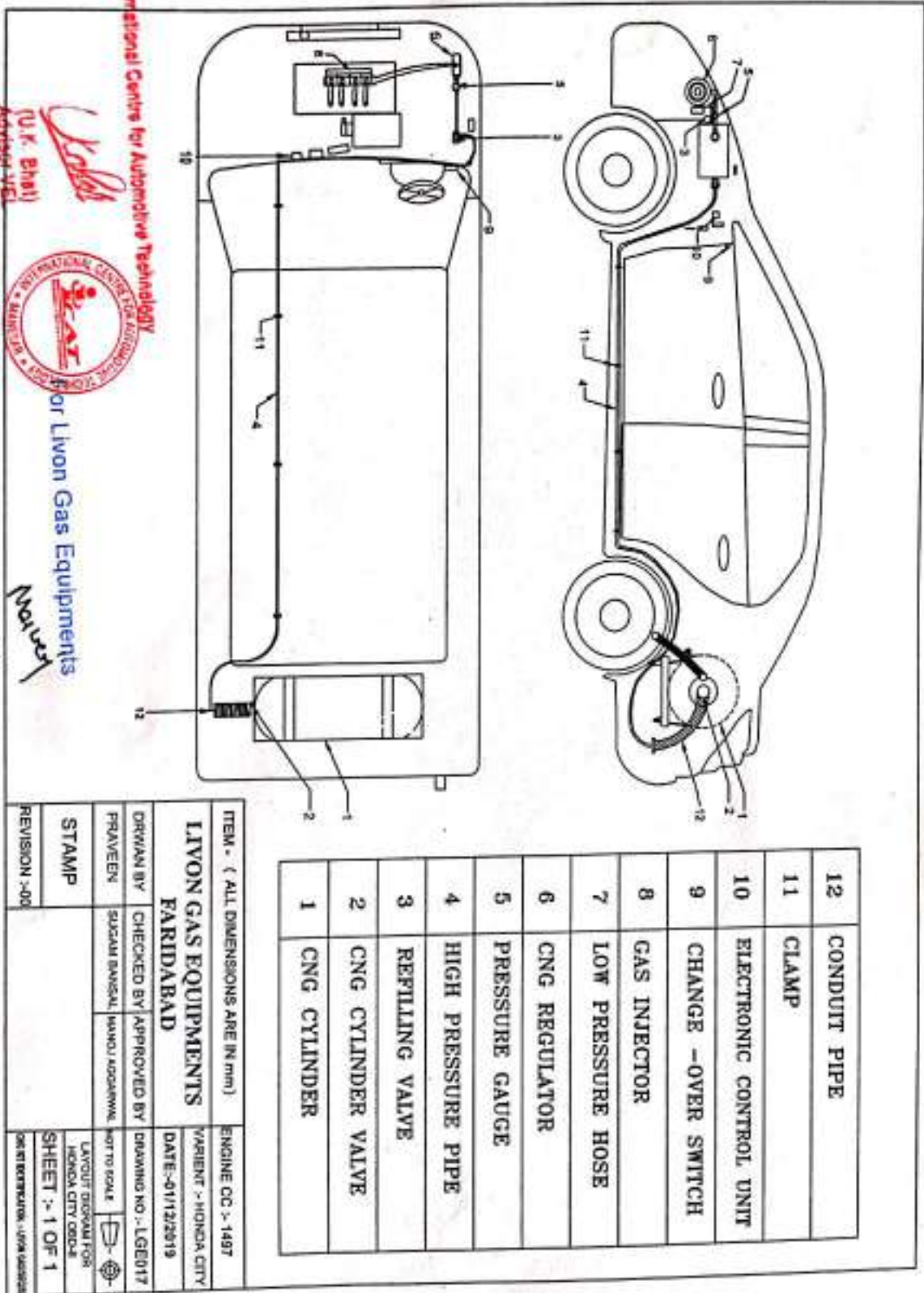
International Centre for Automotive Technology

For Livon Gas Equipments

Mohit
Proprietor

12	CONDUIT PIPE
11	CLAMP
10	ELECTRONIC CONTROL UNIT
9	CHANGE -OVER SWITCH
8	GAS INJECTOR
7	LOW PRESSURE HOSE
6	CNG REGULATOR
5	PRESSURE GAUGE
4	HIGH PRESSURE PIPE
3	REFILLING VALVE
2	CNG CYLINDER VALVE
1	CNG CYLINDER

ITEM - (ALL DIMENSIONS ARE IN mm)		ENGINE CC -> 1447	
LIVON GAS EQUIPMENTS			
FARIDABAD			
DRAWN BY	CHECKED BY	APPROVED BY	DATE:-01/11/2019
PRAVEEN	SUDAM BANSAL	NAKUL AGARWAL	
STAMP			LAYOUT DESIGN FOR HONDA BSV (CDD)-
REVISION :-00			SHEET :- 1 OF 1
		DATE ESTIMATION :- 10/01/2020	



12	CONDUIT PIPE
11	CLAMP
10	ELECTRONIC CONTROL UNIT
9	CHANGE -OVER SWITCH
8	GAS INJECTOR
7	LOW PRESSURE HOSE
6	CNG REGULATOR
5	PRESSURE GAUGE
4	HIGH PRESSURE PIPE
3	REFILLING VALVE
2	CNG CYLINDER VALVE
1	CNG CYLINDER

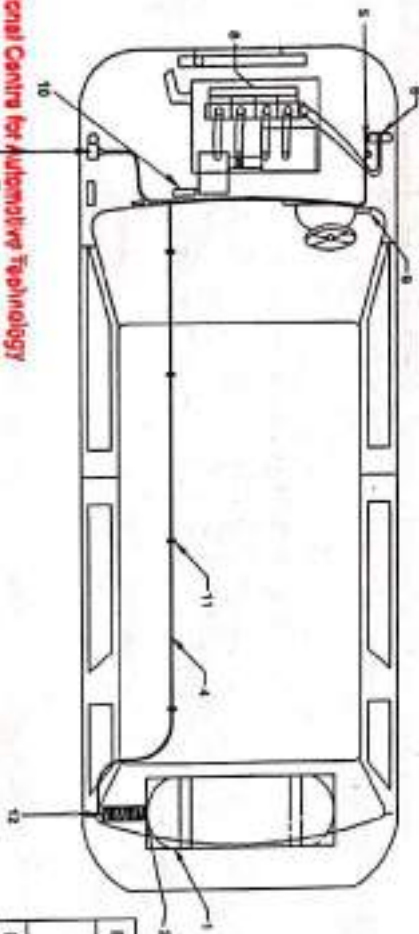
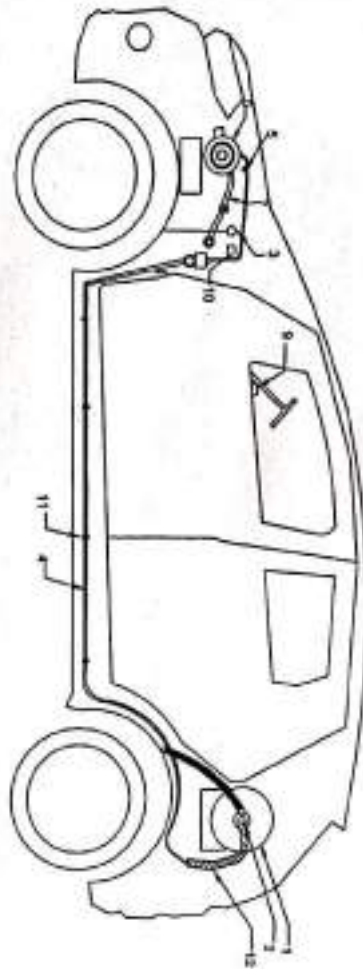
ITEM - (ALL DIMENSIONS ARE IN mm)		ENGINE CC - 1497
LIVON GAS EQUIPMENTS		VARIANT - HONDA CITY
FARIDABAD		DATE - 01/12/2019
DRAWN BY	CHECKED BY	APPROVED BY
PRAVEEN	SUCSAM BANSAL	HANOU AGGARWAL
STAMP		LAYOUT DESIGNED FOR
REVISION :00		HONDA CITY OFFICE
		SHEET :- 1 OF 1
		ON SITE INSTALLATION - LIVON DESIGNED

International Centre for Automotive Technology
 (U.K. Bhatt)
 Advisor IAT



For Livon Gas Equipments

Proprietor



12	CONDUIT PIPE
11	CLAMP
10	ELECTRONIC CONTROL UNIT
9	CHANGE -OVER SWITCH
8	GAS INJECTOR
7	LOW PRESSURE HOSE
6	CNG REGULATOR
5	PRESSURE GAUGE
4	HIGH PRESSURE PIPE
3	REFILLING VALVE
2	CNG CYLINDER VALVE
1	CNG CYLINDER

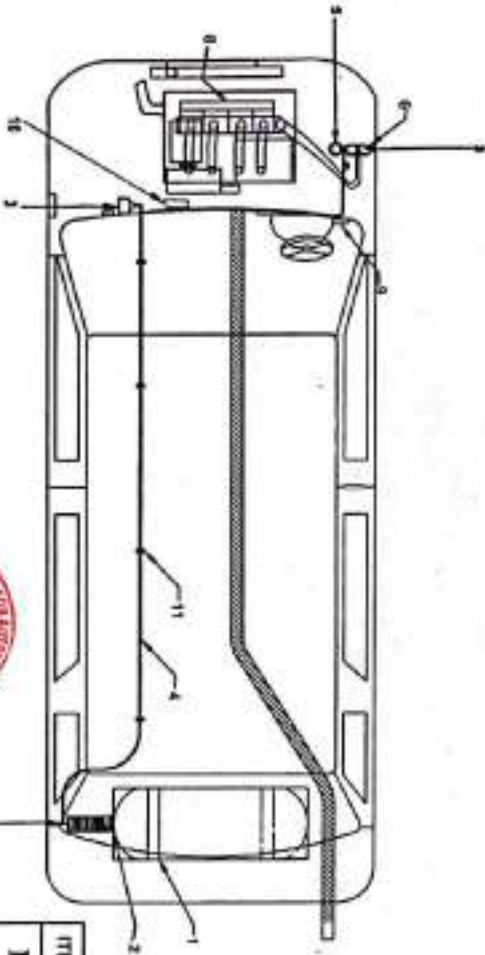
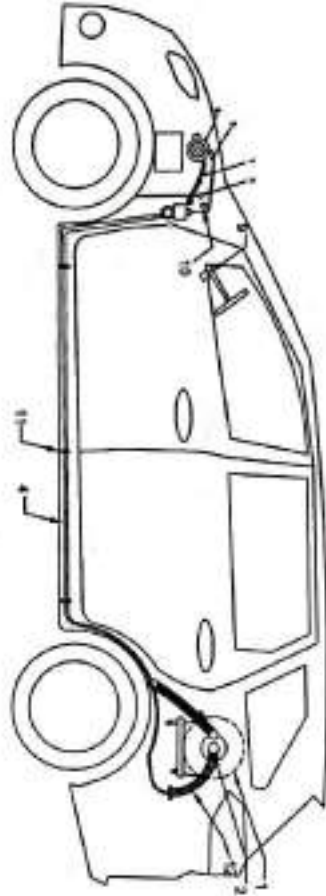
ITEM - (ALL DIMENSIONS ARE IN mm)		ENGINE CC :- 1199	
LIVON GAS EQUIPMENTS			
FARIDABAD			
DRAWN BY	CHECKED BY	APPROVED BY	DATE :- 01/12/2019
PIRAVEEN	SUGAM BANSAL	MANOJ AGARWAL	DESIGNING NO :- LGE01B
STAMP		NOT TO SCALE	
REVISION :00		LAYOUT DRAWING FOR HONDA WRV 1200	
		SHEET :- 1 OF 1	
		ON REFERENCE :- 1200 1200	

International Centre for Automotive Technology

(U.K. Bhat)
Advisor VET

For Livon Gas Equipments

Proprietor



12	CONDUIT PIPE
11	CLAMP
10	ELECTRONIC CONTROL UNIT
9	CHANGE - OVER SWITCH
8	GAS INJECTOR
7	LOW PRESSURE HOSE
6	CNG REGULATOR
5	PRESSURE GAUGE
4	HIGH PRESSURE PIPE
3	REFILLING VALVE
2	CNG CYLINDER VALVE
1	CNG CYLINDER

ITEM - (ALL DIMENSIONS ARE IN mm)		ENGINE CC -> 1497
LIVON GAS EQUIPMENTS		MANUFACT -> HONDA MOTOR CO
FARIDABAD		DATE -> 01/12/2019
DRAWN BY	CHECKED BY	APPROVED BY
PRAYEEN	SUDAM BANSAL	MANOJ AGGARWAL
STAMP	DRAWING NO -> LGGE020	
REVISION -> 00	NOT TO SCALE	
	LAYOUT DRAWING FOR HONDA MOTOR CO (INDIA)	
	SHEET -> 1 OF 1	
	DATE OF EXPIRATION -> 30/09/2020	

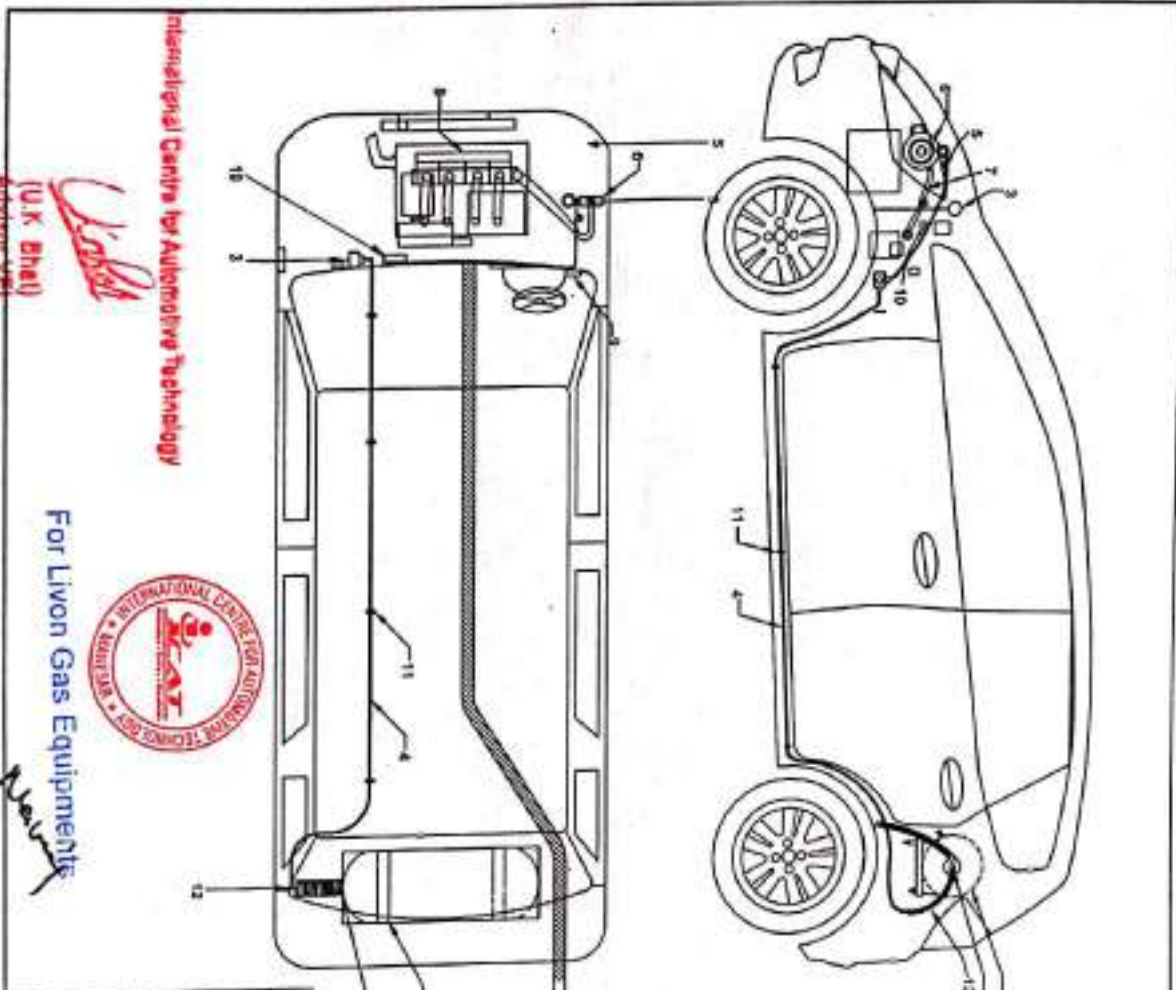
International Centre for Automotive Technology

Velvet
(U.K. Chat)
Advisor VET



For Livon Gas Equipments

Mahesh
Proprietor



International Centre for Automotive Technology
 (U.K. Bhal) Advisor VETL

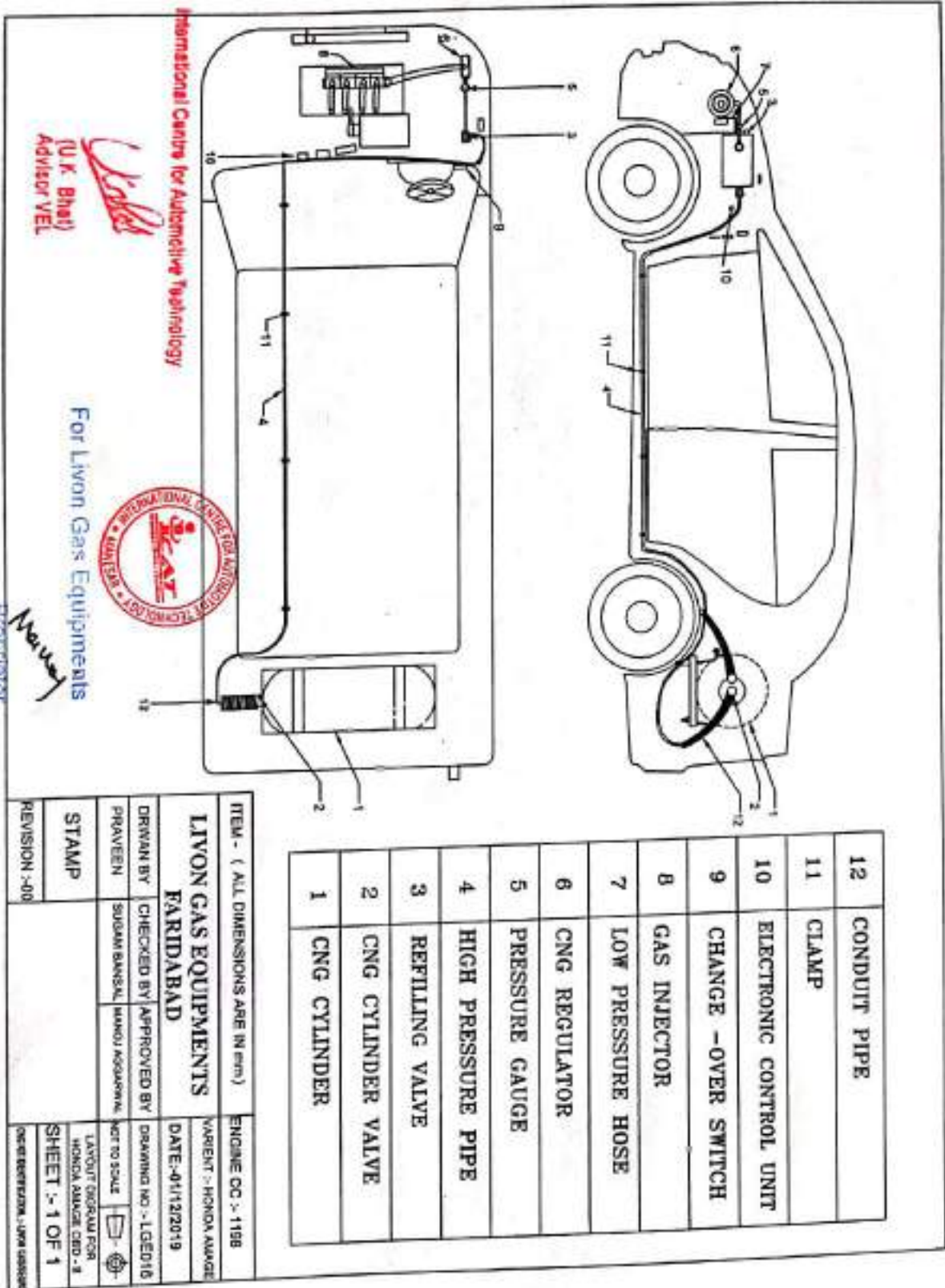


For Livon Gas Equipments

Proprietor

12	CONDUIT PIPE
11	CLAMP
10	ELECTRONIC CONTROL UNIT
9	CHANGE -OVER SWITCH
8	GAS INJECTOR
7	LOW PRESSURE HOSE
6	CNG REGULATOR
5	PRESSURE GAUGE
4	HIGH PRESSURE PIPE
3	REFILLING VALVE
2	CNG CYLINDER VALVE
1	CNG CYLINDER

ITEM - (ALL DIMENSIONS ARE IN mm)		ENGINE CC -> 1198
LIVON GAS EQUIPMENTS		VARIANT -> HONDA JAZZ
FARIDABAD		DATE:-01/11/2019
DRAWN BY	CHECKED BY	APPROVED BY
PRAVEEN	SUDAM BANSAL	MANOJ AGARWAL
STAMP	LAYOUT ORIGINAL FOR HONDA JAZZ GRD - B	
REVISION ->00	SHEET -> 1 OF 1	
		DATE OF SUBMISSION - 10/11/2019



12	CONDUIT PIPE
11	CLAMP
10	ELECTRONIC CONTROL UNIT
9	CHANGE - OVER SWITCH
8	GAS INJECTOR
7	LOW PRESSURE HOSE
6	CNG REGULATOR
5	PRESSURE GAUGE
4	HIGH PRESSURE PIPE
3	REFILLING VALVE
2	CNG CYLINDER VALVE
1	CNG CYLINDER

ITEM - (ALL DIMENSIONS ARE IN mm)		ENGINE CC :- 1198
LYON GAS EQUIPMENTS		VARIANT :- HONDA AVANCE
FARIDABAD		DATE:-01/12/2019
DRIVEN BY	CHECKED BY	APPROVED BY
PRAVEN	SUDAM BANSHAL	MANOJ KOGARWAL
STAMP	DRAWING NO :- LGED/16	
REVISION :-00	NOT TO SCALE	
SHEET :- 1 OF 1		LAYOUT DESIGNED FOR HONDA AVANCE CNG - 8
ON SITE REGISTRATION :- JVA 685544		

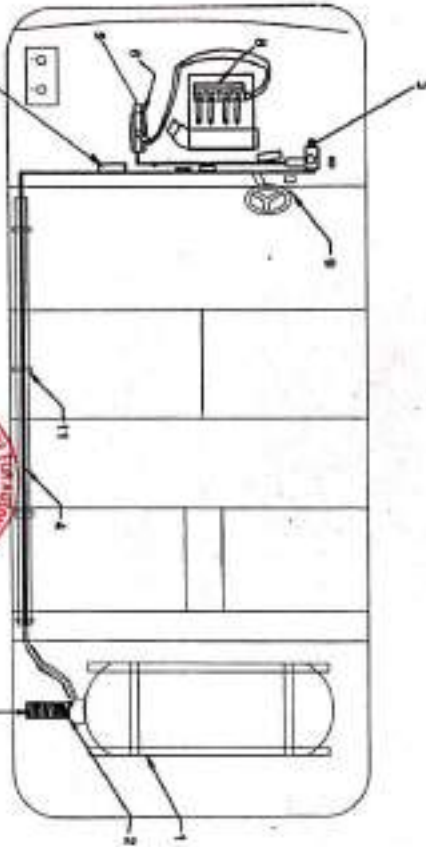
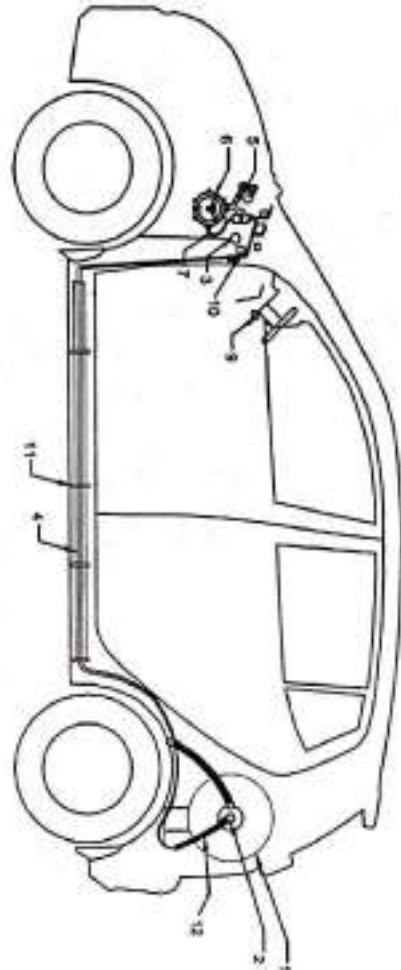
(UK Bhat)
Advisor VEL



For Lyon Gas Equipments

Manoj
Proprietor

International Centre for Automotive Technology



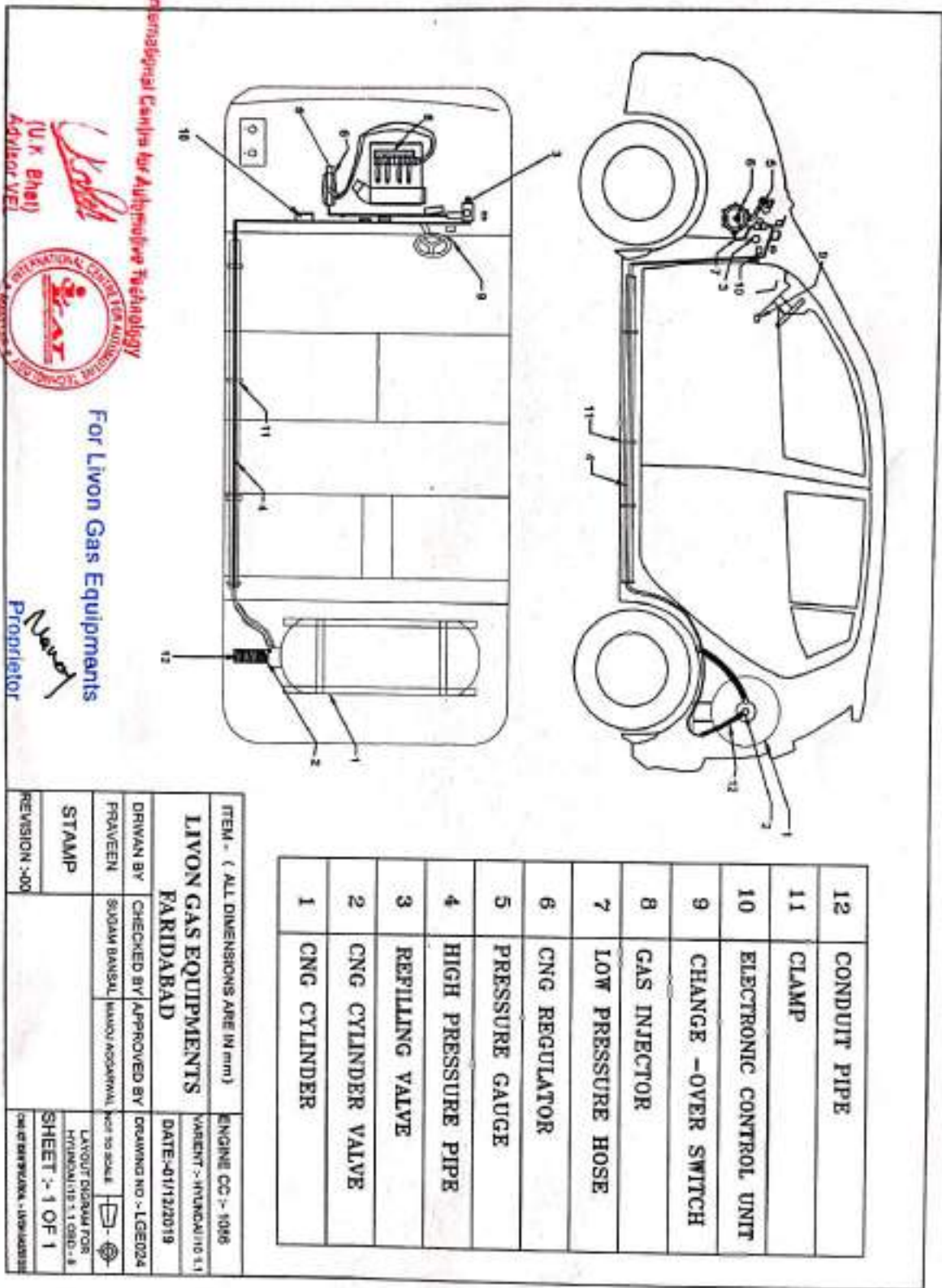
12	CONDUIT PIPE
11	CLAMP
10	ELECTRONIC CONTROL UNIT
9	CHANGE -OVER SWITCH
8	GAS INJECTOR
7	LOW PRESSURE HOSE
6	CNG REGULATOR
5	PRESSURE GAUGE
4	HIGH PRESSURE PIPE
3	REFILLING VALVE
2	CNG CYLINDER VALVE
1	CNG CYLINDER

International Centre for Automotive Technology
 (U.K. Shai)
 Advisor VEL



For Livon Gas Equipments
 Proprietor

ITEM - (ALL DIMENSIONS ARE IN mm)		ENGINE CC -> 998
LIVON GAS EQUIPMENTS FARIDABAD		WARRANTY -> 3 YEARS / 100,000 KM
DRAWN BY: PRAVEEN		DATE: 01/11/2019
CHECKED BY: SUCANI BANISAL		DRAWING NO: LGED23
APPROVED BY: [Signature]		NOT TO SCALE
STAMP		LIVON GAS EQUIPMENTS FARIDABAD
REVISION -00		SHEET -> 1 OF 1



(U.K. Shah)
Advisor VET

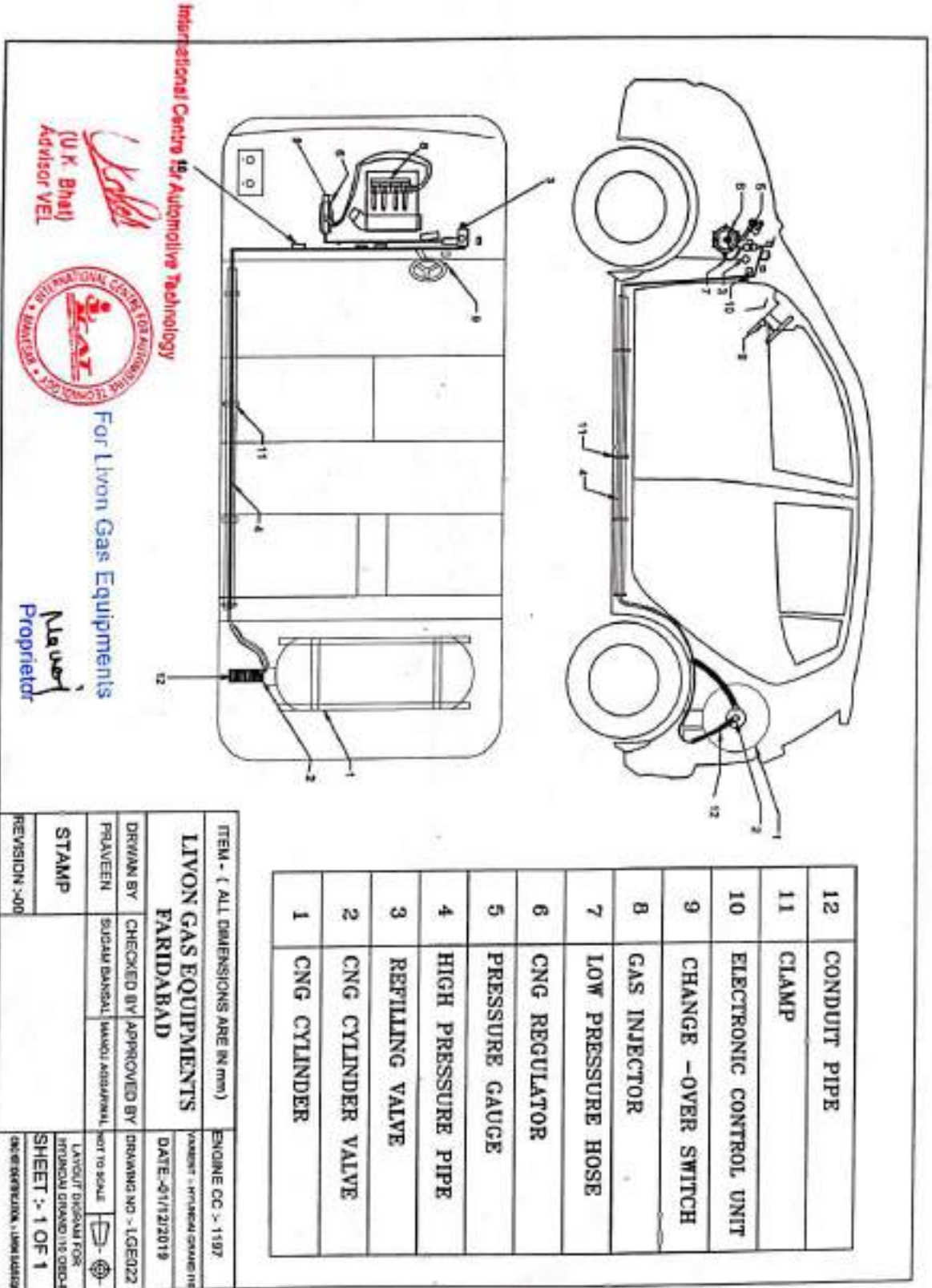


For Livon Gas Equipments

(Naveed)
Proprietor

12	CONDUIT PIPE
11	CLAMP
10	ELECTRONIC CONTROL UNIT
9	CHANGE -OVER SWITCH
8	GAS INJECTOR
7	LOW PRESSURE HOSE
6	CNG REGULATOR
5	PRESSURE GAUGE
4	HIGH PRESSURE PIPE
3	REFILLING VALVE
2	CNG CYLINDER VALVE
1	CNG CYLINDER

ITEM - (ALL DIMENSIONS ARE IN mm)		ENGINE CC - 1000
LIVON GAS EQUIPMENTS		VARIANT - HYDRA/H10 L1
FARIDABAD		DATE - 01/12/2019
DRIVAN BY	CHECKED BY / APPROVED BY	DRAWING NO - LGE024
FRABEEN	SUDAM BANSEL / HANOU ACHAMMAL	NOT TO SCALE
STAMP		LAYOUT DESIGN FOR HYDRA/H10 L1 GND - 8
REVISION - 00		SHEET :- 1 OF 1
		DATE OF REVISION - 10/04/2019



International Centre for Automotive Technology

(U.K. Bhai)
Advisor VET

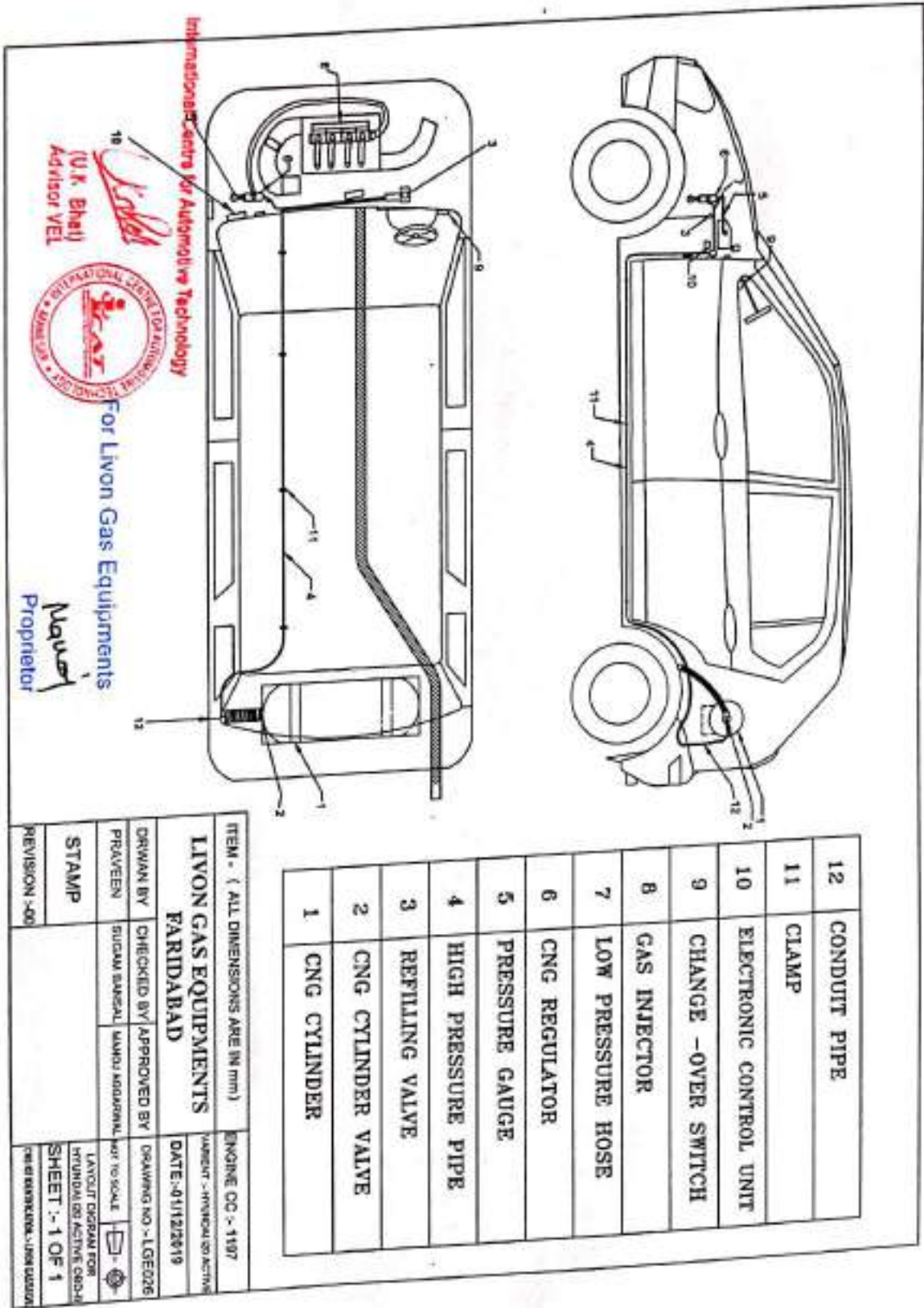


For Livon Gas Equipments

Proprietor

12	CONDUIT PIPE
11	CLAMP
10	ELECTRONIC CONTROL UNIT
9	CHANGE -OVER SWITCH
8	GAS INJECTOR
7	LOW PRESSURE HOSE
6	CNG REGULATOR
5	PRESSURE GAUGE
4	HIGH PRESSURE PIPE
3	REFILLING VALVE
2	CNG CYLINDER VALVE
1	CNG CYLINDER

ITEM - (ALL DIMENSIONS ARE IN mm)		ENGINE CC :- 1197
LIVON GAS EQUIPMENTS		
FARIDABAD		
DESIGNED BY	CHECKED BY	APPROVED BY
PRAVEEN	SUDHAR DANGAL	MANOJ AGRAWAL
DRAWING NO :- LGE022		DATE :- 01/12/2019
NOT TO SCALE		LAYOUT DRAWING FOR
STAMP		INDIAN DRAWING IS USED
REVISION :-00		SHEET :- 1 OF 1
		CNG REGULATOR, LOW PRESSURE

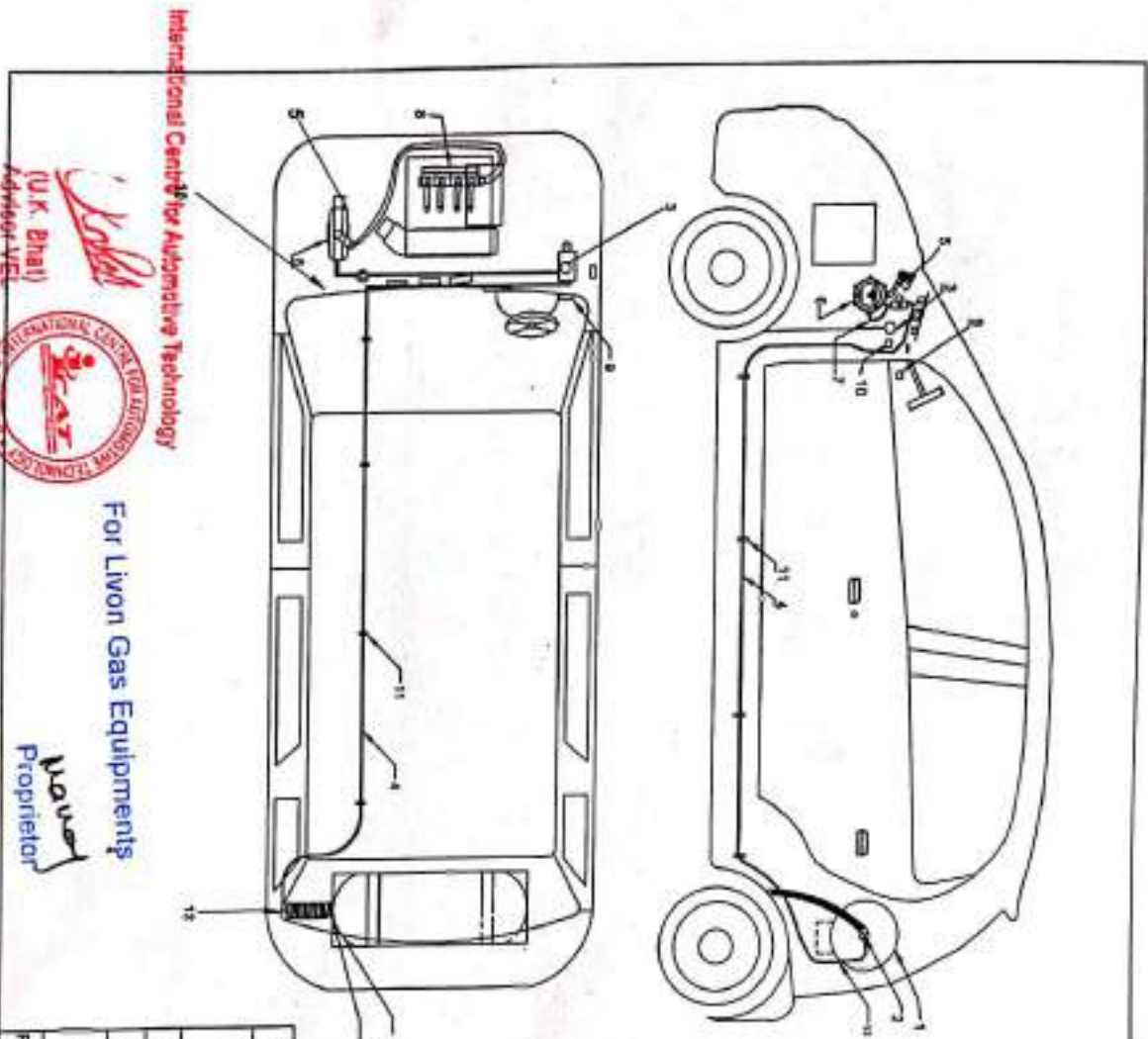


12	CONDUIT PIPE
11	CLAMP
10	ELECTRONIC CONTROL UNIT
9	CHANGE - OVER SWITCH
8	GAS INJECTOR
7	LOW PRESSURE HOSE
6	CNG REGULATOR
5	PRESSURE GAUGE
4	HIGH PRESSURE PIPE
3	REFILLING VALVE
2	CNG CYLINDER VALVE
1	CNG CYLINDER

ITEM - (ALL DIMENSIONS ARE IN MM)		ENGINE CC - 1197
LIVON GAS EQUIPMENTS FARIDABAD		DATE: 01/12/2019
DRAWN BY	CHECKED BY	APPROVED BY
PRAYEEN	SUCRAW BANSAL	NAKHOJ KAPOORWAL
STAMP	DRAWING NO - LGEG026	
REVISION -00	SHEET :- 1 OF 1	

International Centre for Automotive Technology
 (U.K. Bhai)
 Advisor VET
 For Livon Gas Equipments
 Navneet
 Proprietor





12	CONDUIT PIPE
11	CLAMP
10	ELECTRONIC CONTROL UNIT
9	CHANGE - OVER SWITCH
8	GAS INJECTOR
7	LOW PRESSURE HOSE
6	CNG REGULATOR
5	PRESSURE GAUGE
4	HIGH PRESSURE PIPE
3	REFILLING VALVE
2	CNG CYLINDER VALVE
1	CNG CYLINDER

ITEM : (ALL DIMENSIONS ARE IN mm)		ENGINE CC > 1000
LIVON GAS EQUIPMENTS		
FARIDABAD		
DESIGNED BY	SAJID HUSSAIN	DATE: 21/12/2019
CHECKED BY	SUZAN BANSAL	DRAWING NO: LGED/030
APPROVED BY	MUNIR ACHARYA	NOT TO SCALE
SCALE	1:1	LAYOUT DRAWING FOR
STAMP		HYUNDAI SANTRO GEN - II
REVISION :-001		SHEET :- 1 OF 1
		DATE: 20/12/2019

International Centre for Automotive Technology
 (U.K. Dhari)
 Advisor-VET


For Livon Gas Equipments
 Proprietor

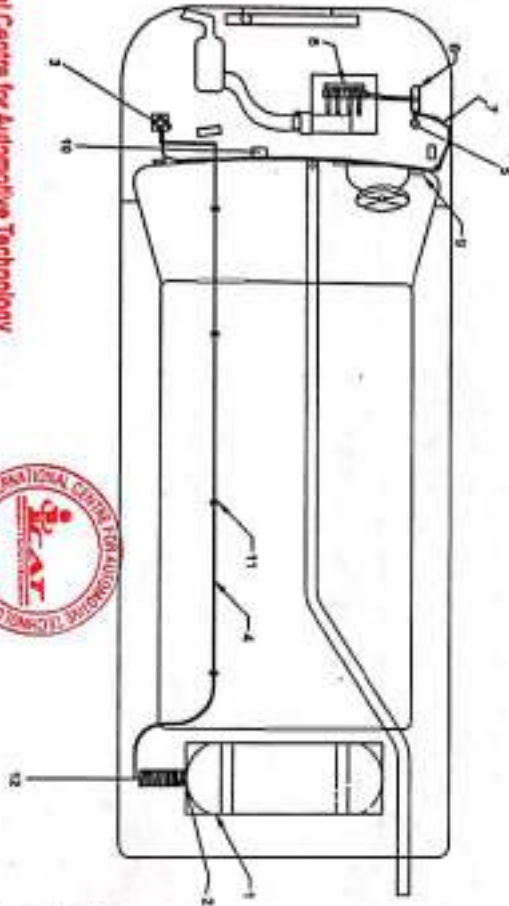
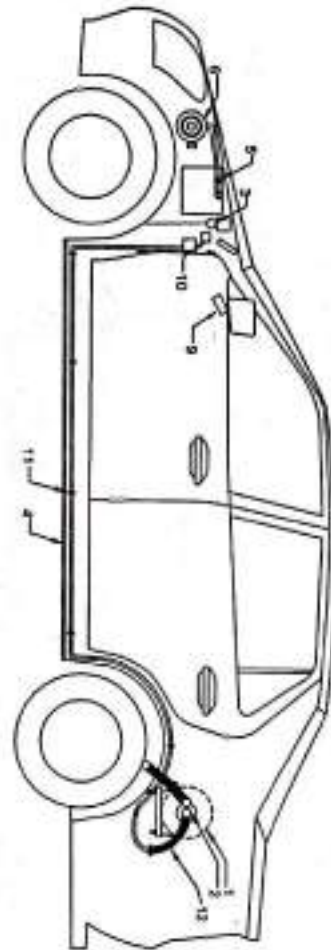
International Centre for Automotive Technology

VEL
(U.K. Bhai)
Advisor VET



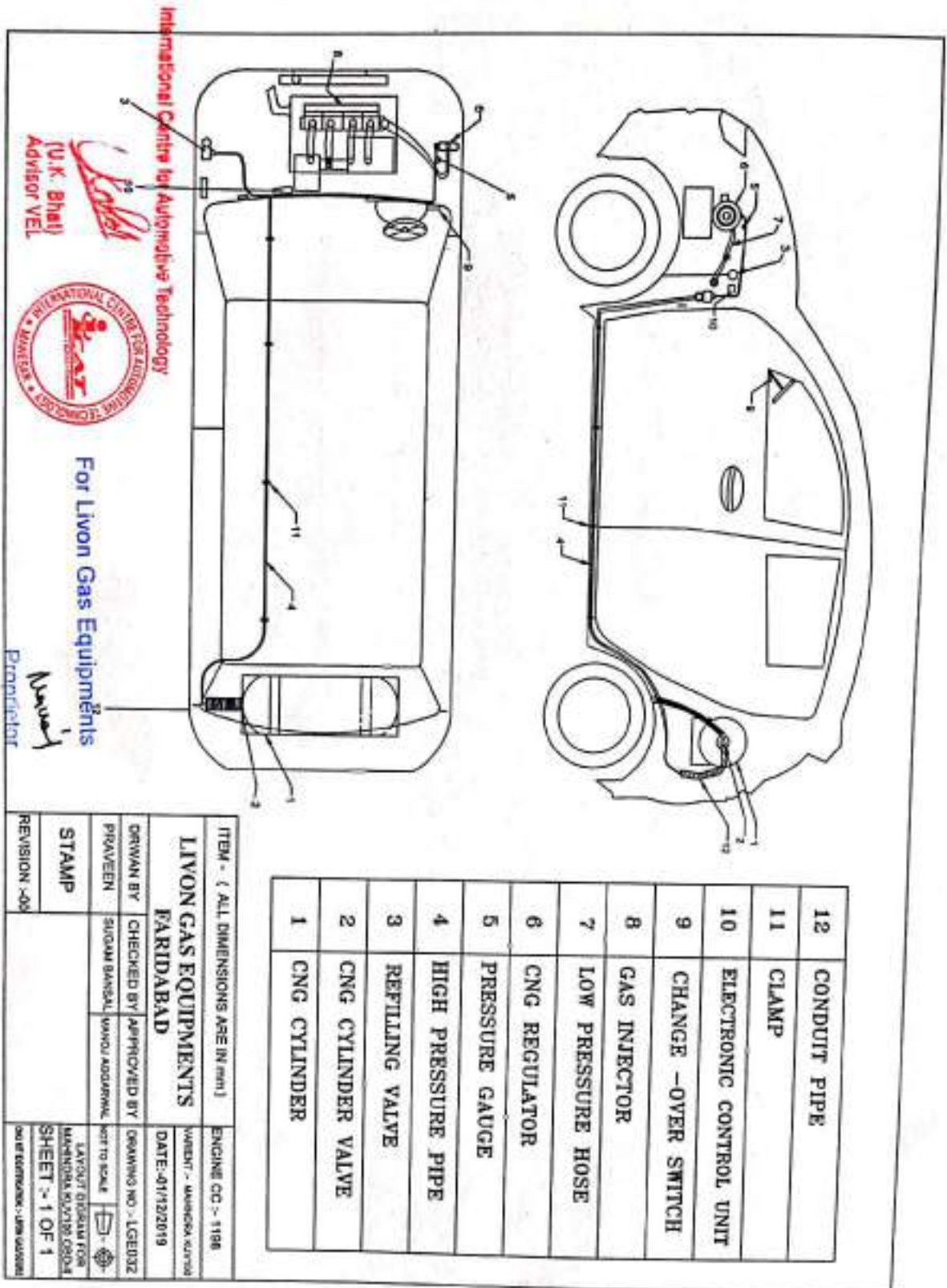
For Livon Gas Equipments

Mawad
Proprietor



12	CONDUIT PIPE
11	CLAMP
10	ELECTRONIC CONTROL UNIT
9	CHANGE - OVER SWITCH
8	GAS INJECTOR
7	LOW PRESSURE HOSE
6	CNG REGULATOR
5	PRESSURE GAUGE
4	HIGH PRESSURE PIPE
3	REFILLING VALVE
2	CNG CYLINDER VALVE
1	CNG CYLINDER

ITEM - (ALL DIMENSIONS ARE IN mm)		ENGINE CC > 1197
LIVON GAS EQUIPMENTS		WARRANTY - HYUNDAI AGENT
FARIDABAD		DATE-01/12/2019
DRAWN BY	CHECKED BY	APPROVED BY
PRAVEEN	SUDAM BANSAL	MAJID AGARWAL
STAMP	LAYOUT DESIGN FOR HYUNDAI AGENT ORDI	
REVISION :00	SHEET :- 1 OF 1	
	DATE OF SUBMISSION :- 11/12/2019	



ITEM - (ALL DIMENSIONS ARE IN mm) ENGINE CC - 1198

LIVON GAS EQUIPMENTS		WARRANT - MARRICHA KATROL
FARIDABAD		DATE: 01/12/2019
DRAWN BY	CHECKED BY	APPROVED BY
PROVEEN	SUDHAN BANJAL	MANOJ ADARWAL
STAMP		
REVISION -00		

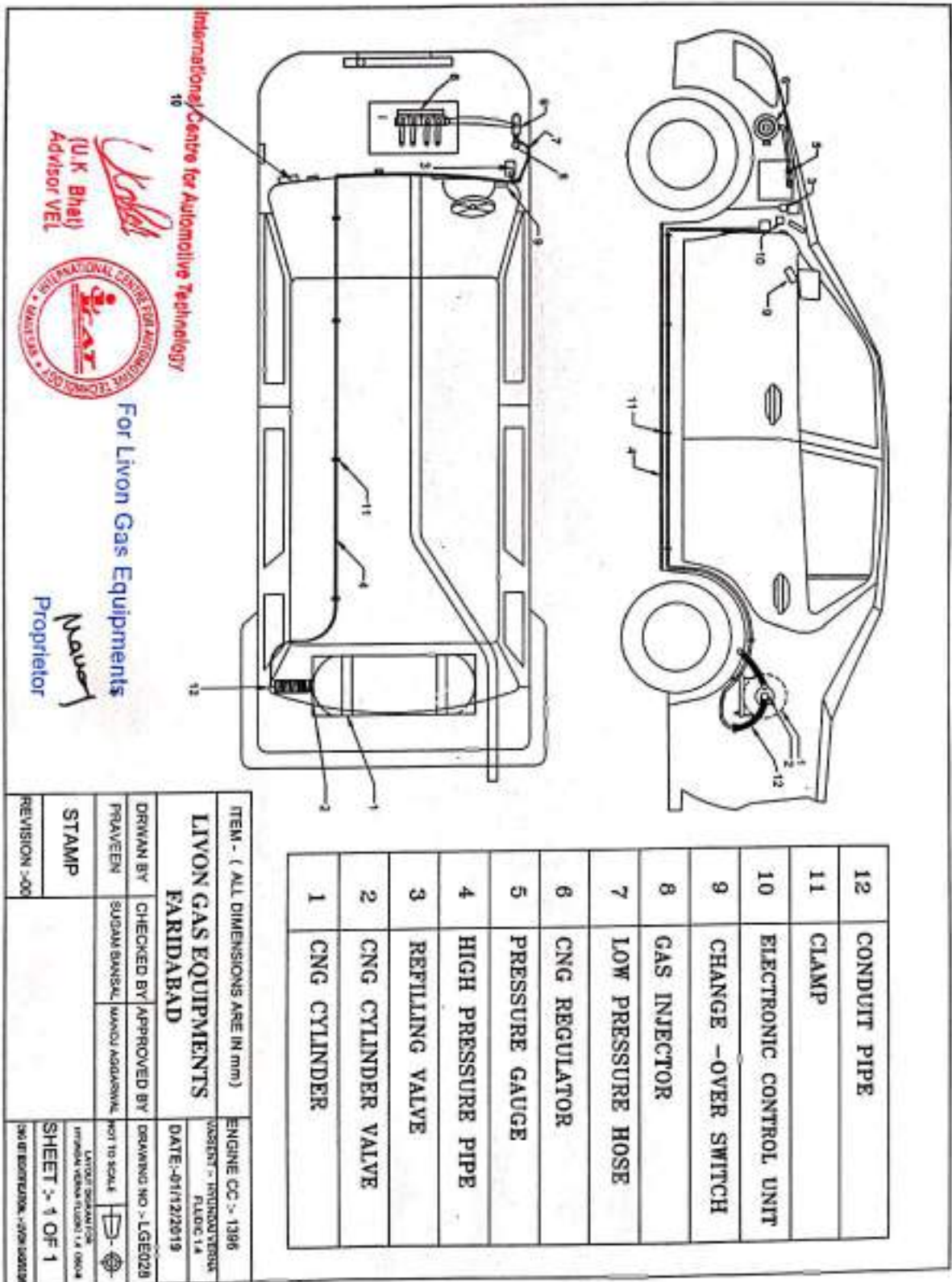
ENGINE NO. - LGE032
DRAWING NO. - LGE032
SHEET - 1 OF 1
DATE OF ESTIMATION - 12th JANUARY

International Centre for Automotive Technology
 (U.K. Bhat)
 Advisor VET

INTERNATIONAL CENTRE FOR AUTOMOTIVE TECHNOLOGY
 NEW DELHI • JAIPUR • BANGALORE

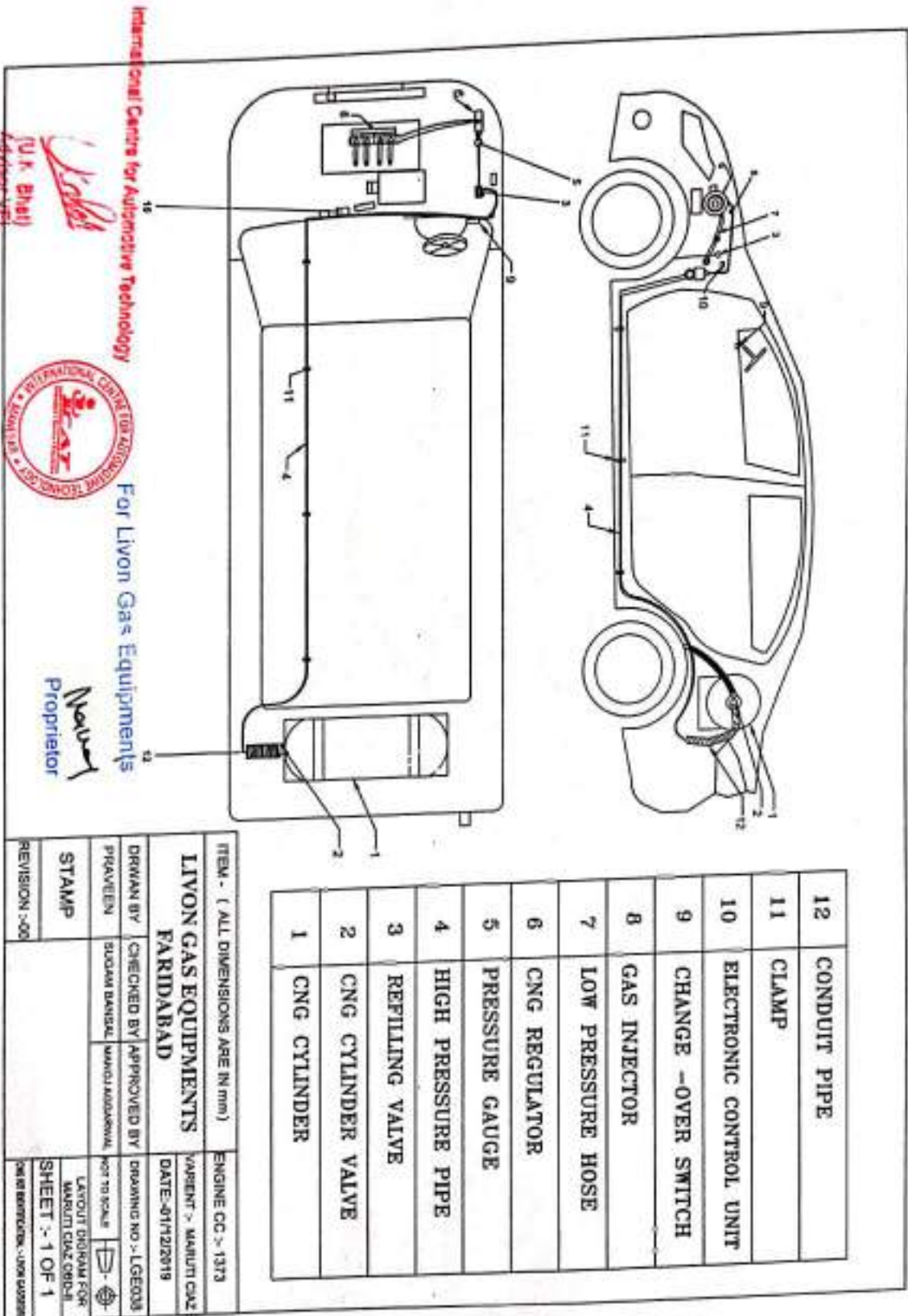
For Livon Gas Equipments

Proprietor



International Centre for Automotive Technology
 (I.C.A.T.)
 (U.K. Bhat)
 Advisor VET
 For Livon Gas Equipments
 Proprietor
 Navin

ITEM - (ALL DIMENSIONS ARE IN mm)		ENGINE CC :- 1386
LIVON GAS EQUIPMENTS		VEHICLE :- HINDUSTAN FLUIDIC 1.4
FARIDABAD		DATE :- 01/12/2019
DRAWN BY	CHECKED BY	APPROVED BY
PRAVEEN	SUDAM BANSAL	MANOJ KADAPPA
STAMP		
REVISION :-00		
SHEET :- 1 OF 1		DATE OF ESTIMATION :- 01/12/2019



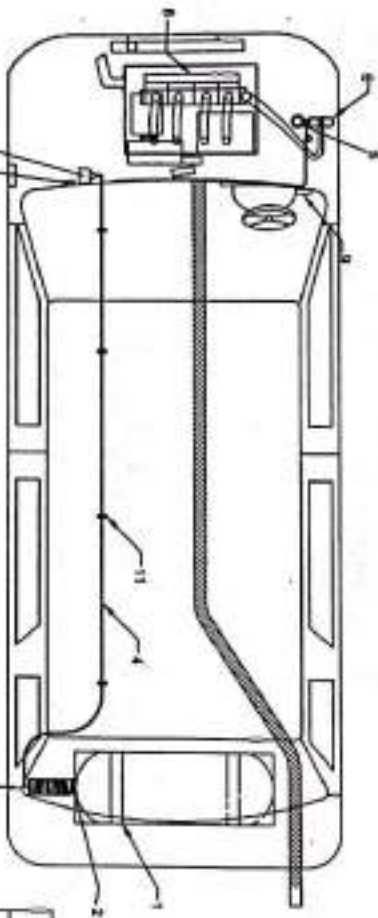
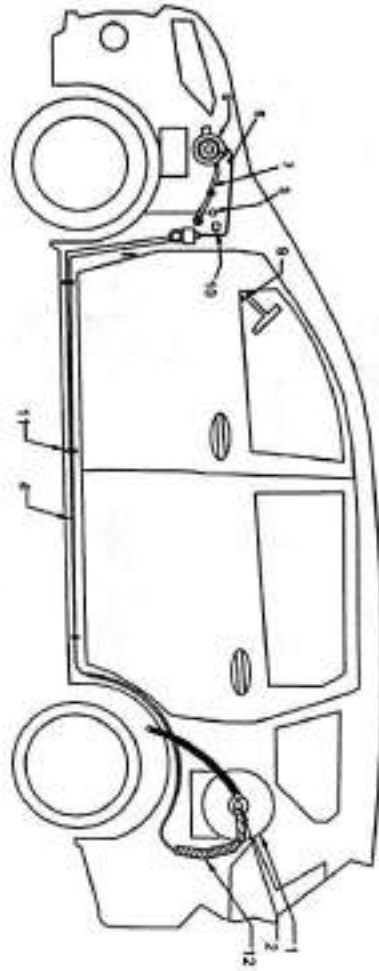
Indian's Best Centre for Automotive Technology

(U.K. Bhai)
Advisor-VET



For Livon Gas Equipments
Proprietor

ITEM - (ALL DIMENSIONS ARE IN mm)		ENGINE CC :- 1373
LIVON GAS EQUIPMENTS		VARIANT :- MARUTI CNG
FARIDABAD		DATE:-01/12/2019
DRAWN BY	CHECKED BY	APPROVED BY
PRASAD	SUDAM BANISAL	MANOJ KADAMBAVAL
STAMP	DRAWING NO :- LGE003	
REVISION :-00	NOT TO SCALE	
	LAYOUT DRAWING FOR MARUTI CNG (80-L)	
	SHEET :- 1 OF 1	
	DATE OF REVISION :- 00/00/00	

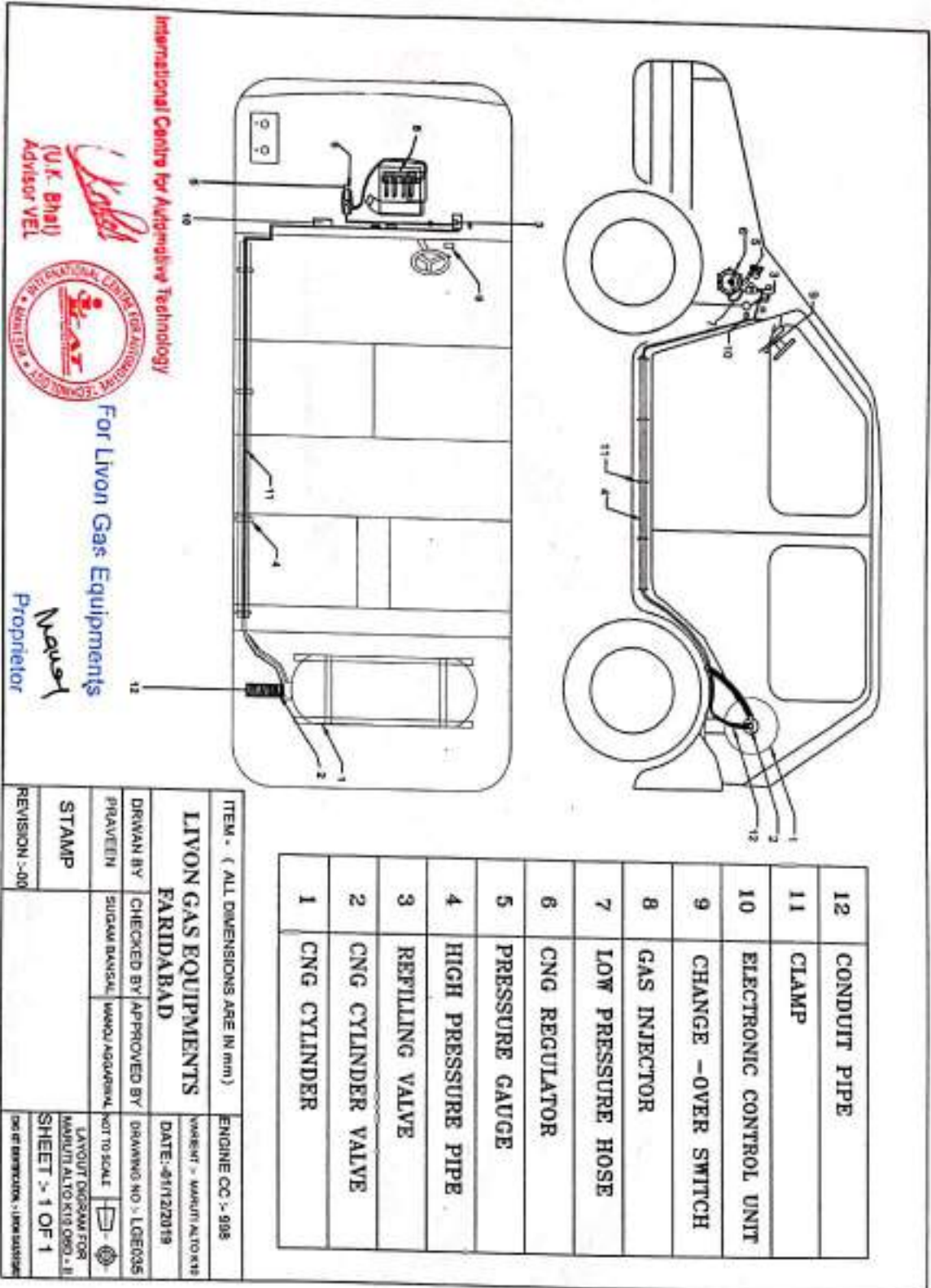


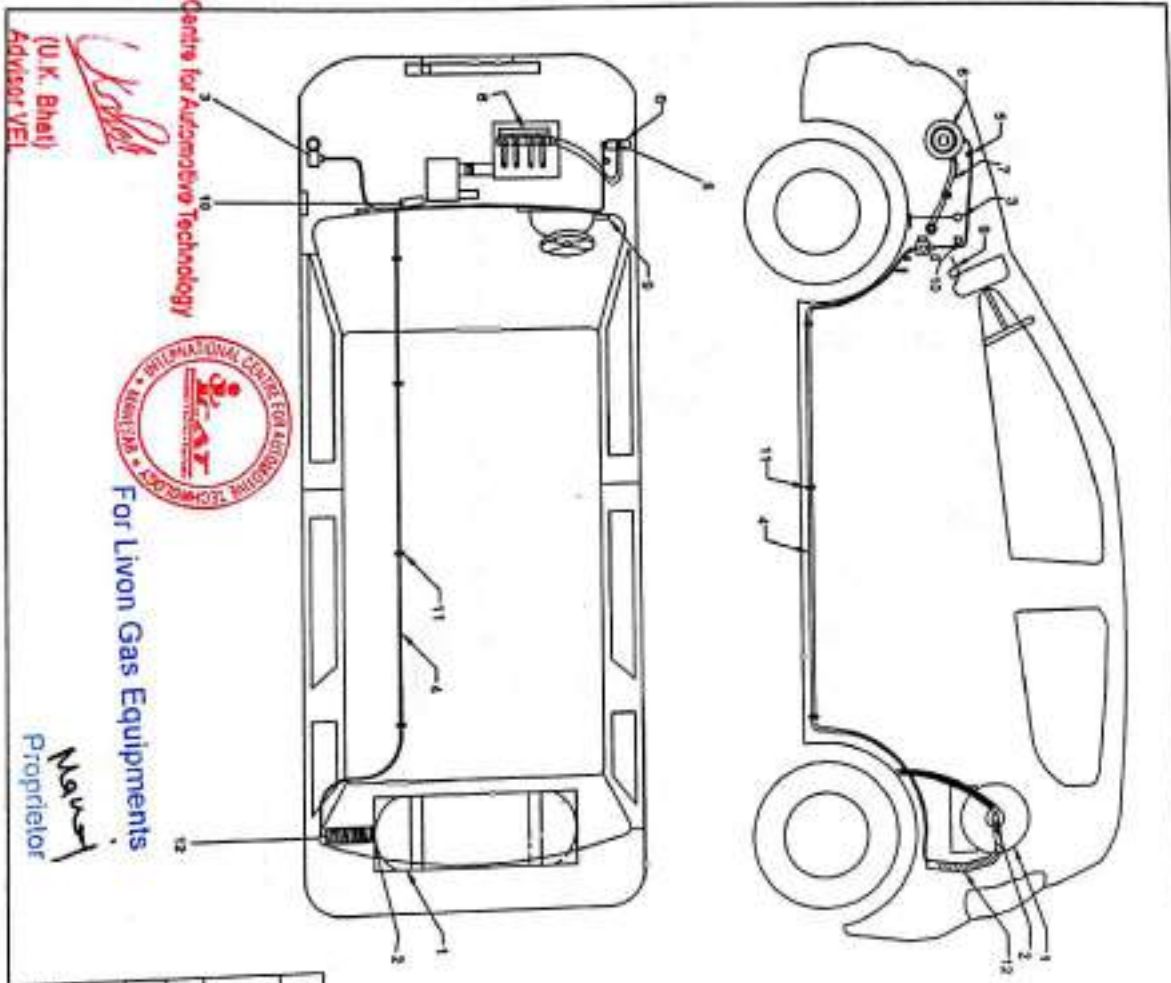
12	CONDUIT PIPE
11	CLAMP
10	ELECTRONIC CONTROL UNIT
9	CHANGE - OVER SWITCH
8	GAS INJECTOR
7	LOW PRESSURE HOSE
6	CNG REGULATOR
5	PRESSURE GAUGE
4	HIGH PRESSURE PIPE
3	REFILLING VALVE
2	CNG CYLINDER VALVE
1	CNG CYLINDER

International Centre for Automotive Technology
(I.C.A.T.)
(U.K. BHEL)
Advisor VETL

For Livon Gas Equipments
Proprietor

ITEM - (ALL DIMENSIONS ARE IN mm)		ENGINE CC :- 1373
LIVON GAS EQUIPMENTS		MARKET :- MADHUPUR/ET/COA
FARDABAD		DATE:-21/12/2019
DRAWN BY	CHECKED BY	APPROVED BY
PRAVEEN	SUGAM BANSAL	MANOJ ADAPPAHAL
STAMP	NOT TO SCALE	
REVISION :00	LAYOUT DRAWING FOR MARKET ENTRY/COA	
	SHEET :- 1 OF 1	
	DATE OF ENTRY:- 21/12/2019	





International Centre for Automotive Technology



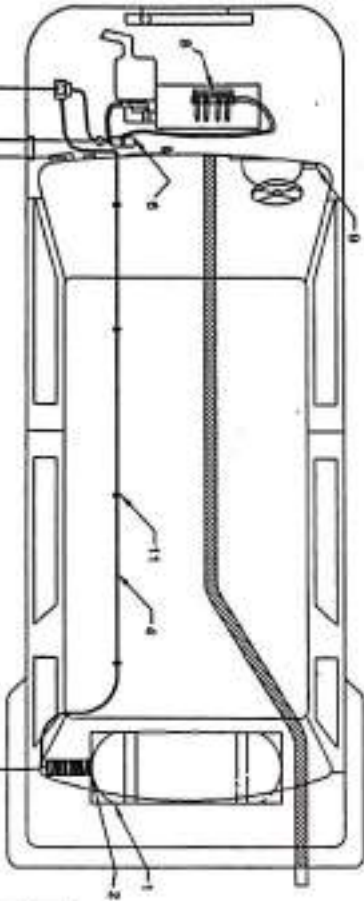
For Livon Gas Equipments

(U.K. Bhai)
Advisor VET

Manoj
Proprietor

12	CONDUIT PIPE
11	CLAMP
10	ELECTRONIC CONTROL UNIT
9	CHANGE -OVER SWITCH
8	GAS INJECTOR
7	LOW PRESSURE HOSE
6	CNG REGULATOR
5	PRESSURE GAUGE
4	HIGH PRESSURE PIPE
3	REFILLING VALVE
2	CNG CYLINDER VALVE
1	CNG CYLINDER

ITEM - (ALL DIMENSIONS ARE IN mm)		ENGINE CC -> 998
LIVON GAS EQUIPMENTS		VARIANT -> MARUTI A STAR
FARIDABAD		DATE:-01/12/2019
DRAWN BY	CHECKED BY / APPROVED BY	DRAWING NO :- LGED34
PRAVIEN	SUDAM BANSAL	MANOJ KISHOR WIL
STAMP		DWG TO SCALE
REVISION :-00		LIVON GAS EQUIPMENTS FOR MARUTI A STAR 998CC
		SHEET :- 1 OF 1
		DATE OF PREPARATION :- 01/12/2019



12	CONDUIT PIPE
11	CLAMP
10	ELECTRONIC CONTROL UNIT
9	CHANGE - OVER SWITCH
8	GAS INJECTOR
7	LOW PRESSURE HOSE
6	CNG REGULATOR
5	PRESSURE GAUGE
4	HIGH PRESSURE PIPE
3	REFILLING VALVE
2	CNG CYLINDER VALVE
1	CNG CYLINDER

International Centre for Automotive Technology

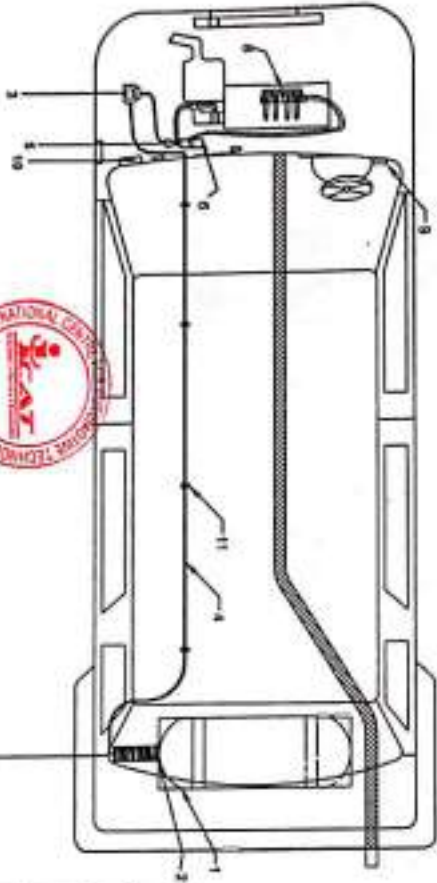
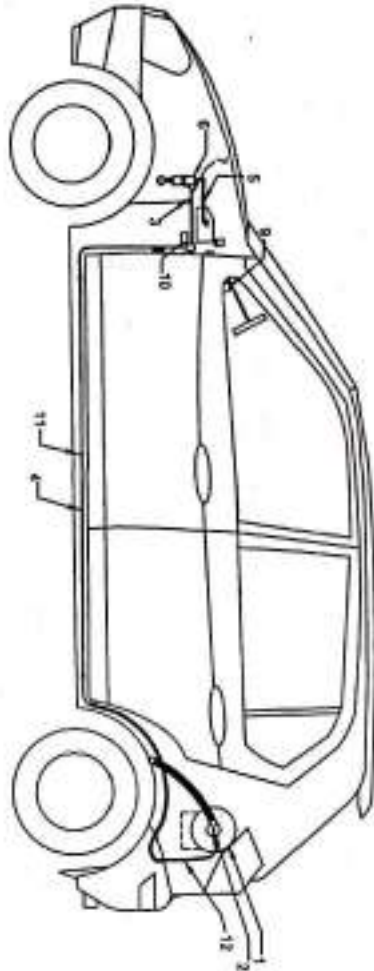
(U.K. Bhat)
Advisor VETL



For Livon Gas Equipments

Yasmit
Proprietor

ITEM - (ALL DIMENSIONS ARE IN mm)		ENGINE CC :- 1197
LIVON GAS EQUIPMENTS		VARIANT - MARUTI BALENO
FARIDABAD		DATE:-01/12/2019
DRWEN BY	CHECKED BY APPROVED BY	DRAWING NO :- LGE038
PRAVEEN	SUDAM BANSAL MANOJ AGARWAL	NOT TO SCALE
STAMP		LAYOUT DIAGRAM FOR MARUTI BALENO 0804
REVISION :-00		SHEET :- 1 OF 1
		DATE PREPARED :- 10/04/2019



12	CONDUIT PIPE
11	CLAMP
10	ELECTRONIC CONTROL UNIT
9	CHANGE - OVER SWITCH
8	GAS INJECTOR
7	LOW PRESSURE HOSE
6	CNG REGULATOR
5	PRESSURE GAUGE
4	HIGH PRESSURE PIPE
3	REFILLING VALVE
2	CNG CYLINDER VALVE
1	CNG CYLINDER

ITEM - (ALL DIMENSIONS ARE IN mm)		ENGINE CC - 998
LIVON GAS EQUIPMENTS		MANUFACT - MAHINDRA
FARIDABAD		DATE - 01/12/2019
DESIGNED BY	CHECKED BY / APPROVED BY	DRAWING NO - LGE037
PROVEEN	SUDAM BANISAL	MANOJ KOCARWAL
STAMP		per to scale
REVISION - 000		LAYOUT DESIGN FOR MARRUTI CELEBRIS CNG-FI
		SHEET - 1 OF 1
		DATE OF ESTIMATION - 12/08/2019

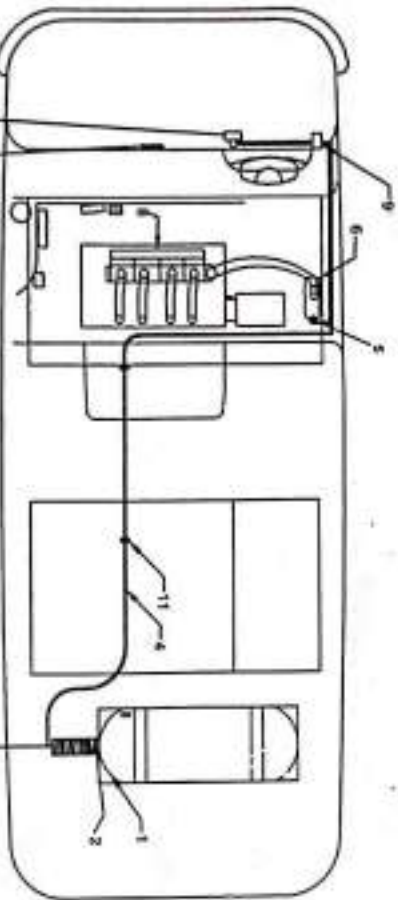
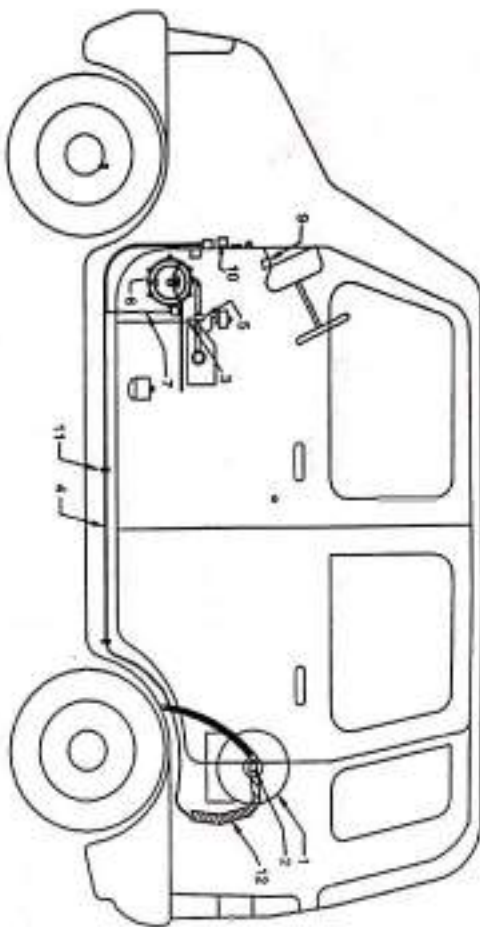


For Livon Gas Equipments

Proprietor

International Centre for Automotive Technology

(U.K. Bhat)
Advisor VET

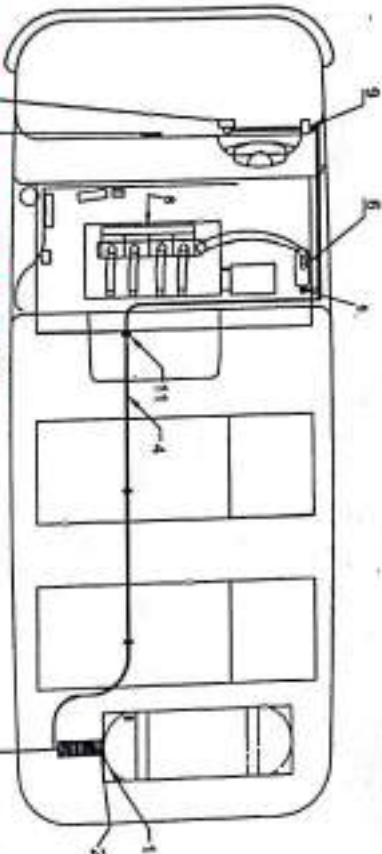
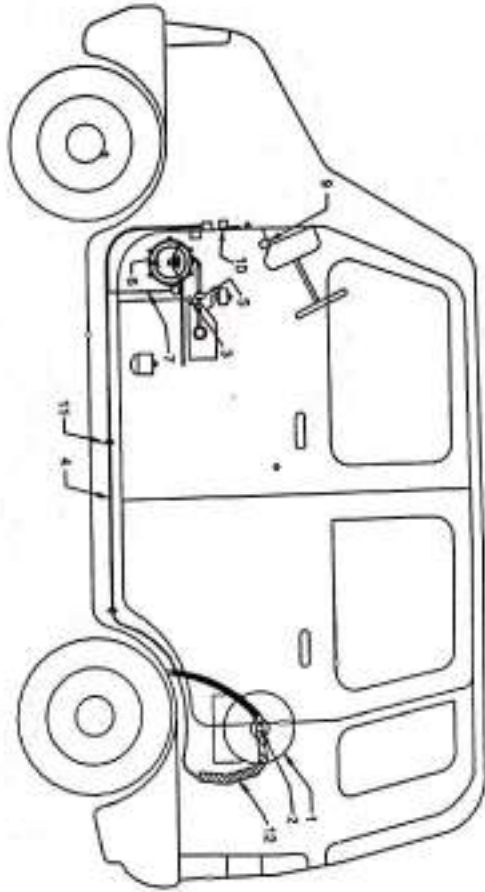


12	CONDUIT PIPE
11	CLAMP
10	ELECTRONIC CONTROL UNIT
9	CHANGE - OVER SWITCH
8	GAS INJECTOR
7	LOW PRESSURE HOSE
6	CNG REGULATOR
5	PRESSURE GAUGE
4	HIGH PRESSURE PIPE
3	REFILLING VALVE
2	CNG CYLINDER VALVE
1	CNG CYLINDER

ITEM - (ALL DIMENSIONS ARE IN mm)		ENGINE CC - 1196
LIVON GAS EQUIPMENTS FARIDABAD		VARIANT - MARUTI EECO 5 STR.
DRAWN BY FRAVEEN	CHECKED BY SHADAB BANDEL	APPROVED BY WASIM AKHTERHALL
DATE-01/12/2019	DRAWING NO - LGE009	
REVISION -00	NOT TO SCALE	
STAMP	LAYOUT DRAWING FOR MANUFACTURE & STR. ODD - I	
SHEET - 1 OF 1		
C/O: ENGINEERING - LIVON GAS EQUIPMENTS		

International Centre for Automotive Technology
 (U.K. Bhai)
 Advisor VET
 For Livon Gas Equipments
 Proprietor
 Navneet



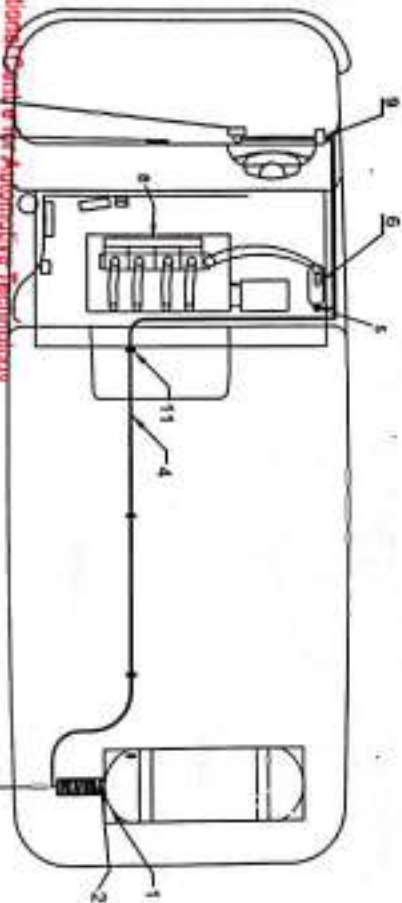
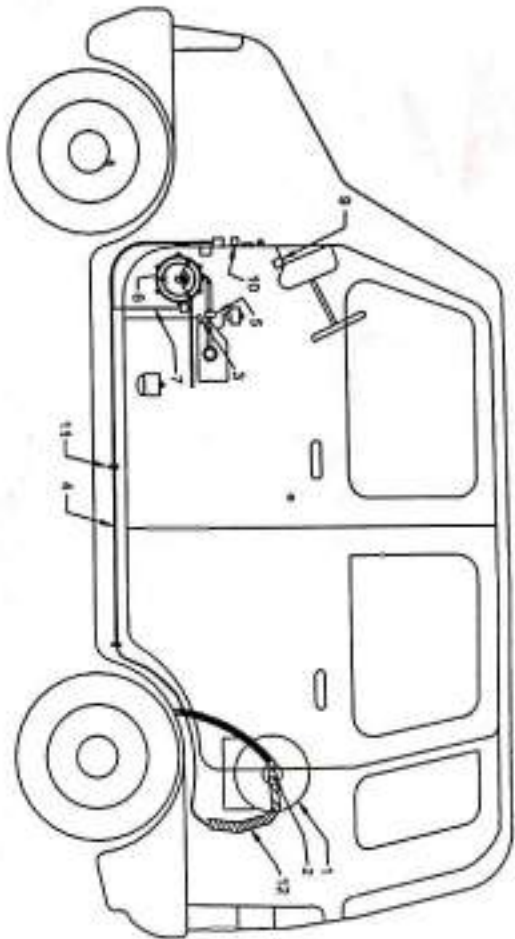


12	CONDUIT PIPE
11	CLAMP
10	ELECTRONIC CONTROL UNIT
9	CHANGE -OVER SWITCH
8	GAS INJECTOR
7	LOW PRESSURE HOSE
6	CNG REGULATOR
5	PRESSURE GAUGE
4	HIGH PRESSURE PIPE
3	REFILLING VALVE
2	CNG CYLINDER VALVE
1	CNG CYLINDER

ITEM - (ALL DIMENSIONS ARE IN mm)		ENGINE CC -> 1196
LIVON GAS EQUIPMENTS FARIDABAD		PROJECT -> MANUT/ECCO 1 STR
DRAWN BY	CHECKED BY	APPROVED BY
PRAVEEN	SUDHAN BANSAL	MANOJ AGGARWAL
STAMP	DRAWING NO -> LEGEND	
REVISION -00	NOT TO SCALE	
	LAYOUT DRAWING FOR MANUT/ECCO 2 STR 080-18	
	SHEET -> 1 OF 1	
	ONE IN ENTIRETY, -1500 SURFACE	

International Centre for Automotive Technology
 (U.K. Bhai)
 ADVISOR VET
 For Livon Gas Equipments
 Proprietor





(U.K. Bhai)
Advisor VEL

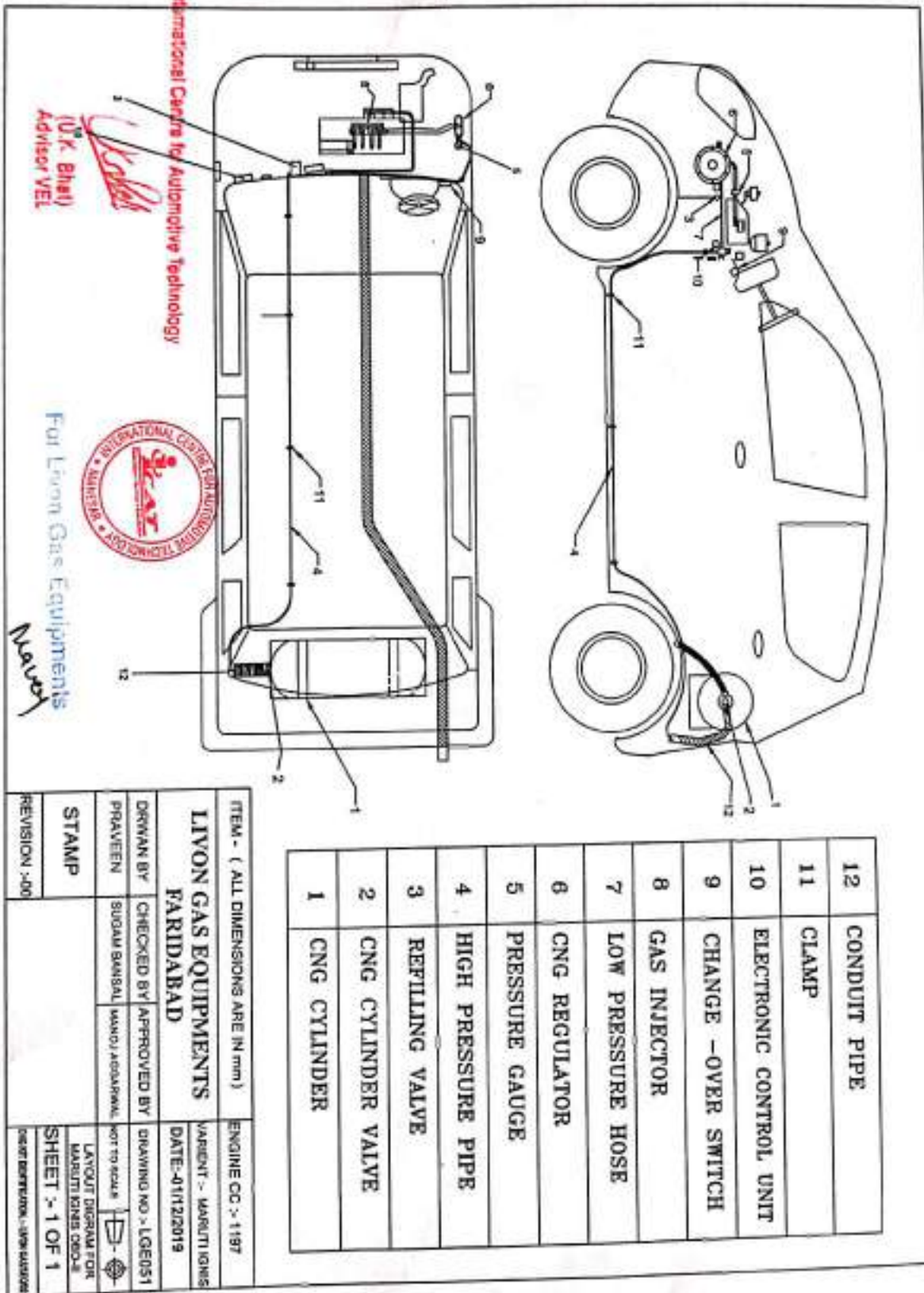


For Livon Gas Equipments

Proprietor

12	CONDUIT PIPE
11	CLAMP
10	ELECTRONIC CONTROL UNIT
9	CHANGE - OVER SWITCH
8	GAS INJECTOR
7	LOW PRESSURE HOSE
6	CNG REGULATOR
5	PRESSURE GAUGE
4	HIGH PRESSURE PIPE
3	REFILLING VALVE
2	CNG CYLINDER VALVE
1	CNG CYLINDER

ITEM - (ALL DIMENSIONS ARE IN mm)		ENGINE CC :- 1196	
LIVON GAS EQUIPMENTS		VARIANT :- MARUTI EECO	
FARIDABAD		CARRO	
DRWAN BY	CHECKED BY	APPROVED BY	DRAWING NO :- LGE041
PRAVEEN	SUDHAM BANSAL	MAYDU AGGARWAL	DATE :- 01/12/2019
STAMP		NOT TO SCALE	
REVISION :-00		LAYOUT DIAGRAM FOR	
		MARUTI EECO CARRO OBD -II	
		SHEET :- 1 OF 1	
		FOR THE ESTABLISHMENT :- LIVON EQUIPMENTS	



12	CONDUIT PIPE
11	CLAMP
10	ELECTRONIC CONTROL UNIT
9	CHANGE - OVER SWITCH
8	GAS INJECTOR
7	LOW PRESSURE HOSE
6	CNG REGULATOR
5	PRESSURE GAUGE
4	HIGH PRESSURE PIPE
3	REFILLING VALVE
2	CNG CYLINDER VALVE
1	CNG CYLINDER

ITEM - (ALL DIMENSIONS ARE IN mm)		ENGINE CC -> 1197
LIVON GAS EQUIPMENTS		VARIANT - MARUTI IGNEO
FARIDABAD		DATE-01/12/2019
DRAWN BY	CHECKED BY	APPROVED BY
PRAVEEN	SUDAM BANSAL	MANOJ ACHARYA
STAMP	DRAWING NO - LGE051	
REVISION :00	LAYOUT DIAGRAM FOR MARUTI IGNEO CNG	
	SHEET :- 1 OF 1	
	SCALE: REFERENCE - 1:100	

Proprietor

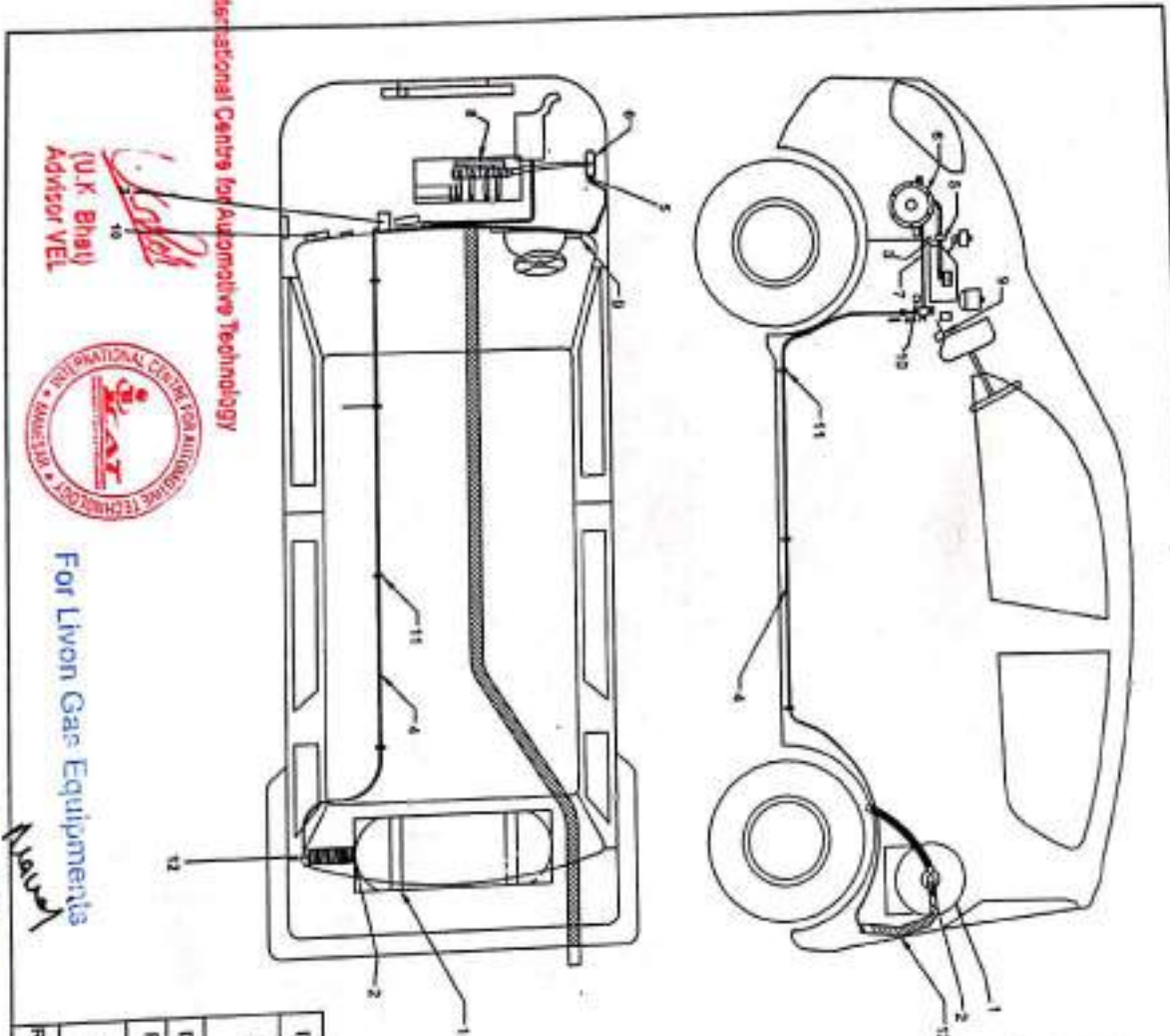
Mahav

For Livon Gas Equipments



International Centre for Automotive Technology

U.K. Bhat
Advisor VET



International Centre for Automotive Technology

(U.K. Bhai)
Advisor VET

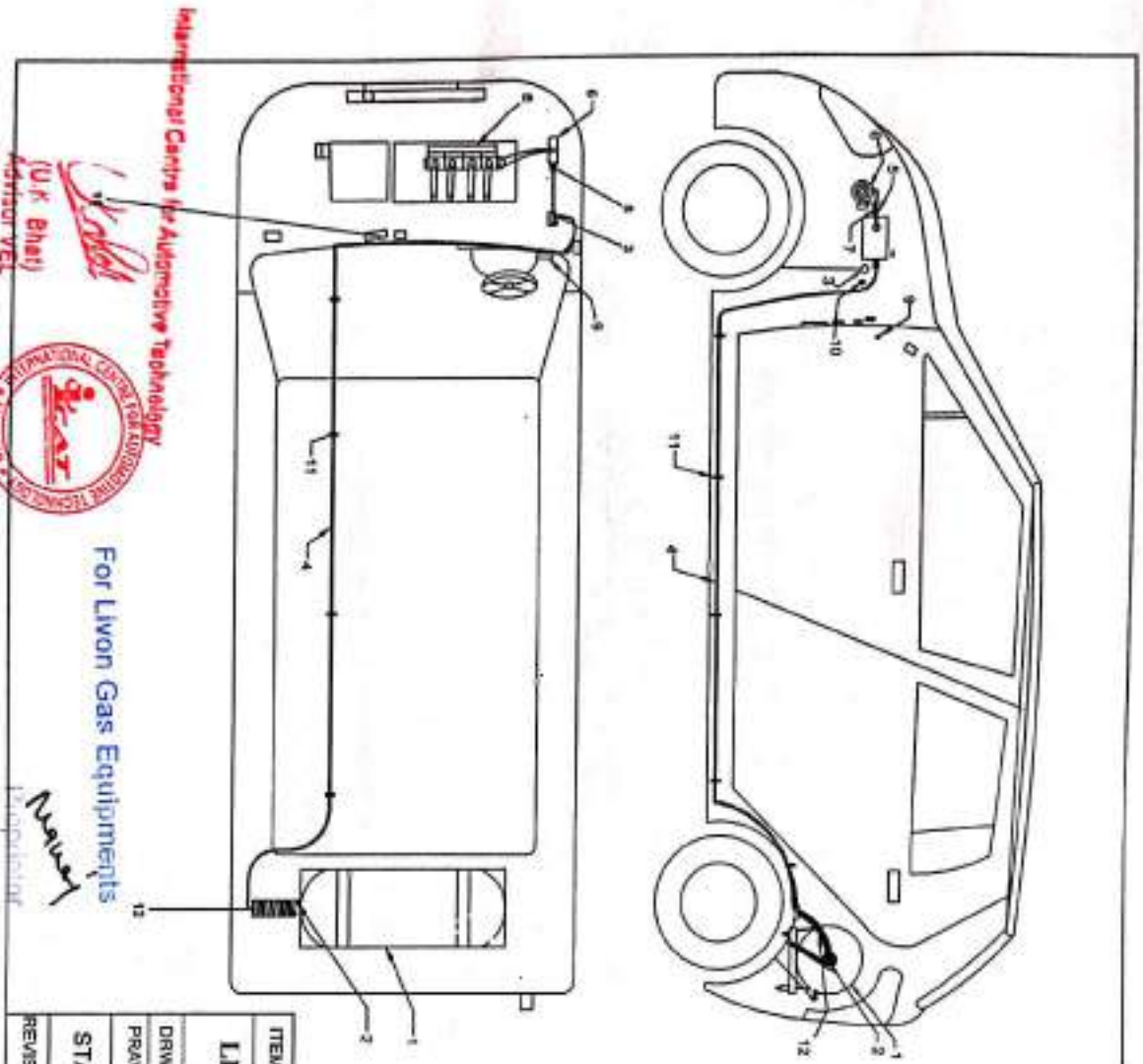


For Livon Gas Equipments

Proprietor

12	CONDUIT PIPE
11	CLAMP
10	ELECTRONIC CONTROL UNIT
9	CHANGE - OVER SWITCH
8	GAS INJECTOR
7	LOW PRESSURE HOSE
6	CNG REGULATOR
5	PRESSURE GAUGE
4	HIGH PRESSURE PIPE
3	REFILLING VALVE
2	CNG CYLINDER VALVE
1	CNG CYLINDER

ITEM - (ALL DIMENSIONS ARE IN mm)		ENGINE CC :- 1197
LIVON GAS EQUIPMENTS		
FARIDABAD		
DESIGNED BY	CHECKED BY	APPROVED BY
PRAVEEN	SUDAM BANSAL	MANOJ AGGARWAL
STAMP		DATE: 01/12/2019
REVISION :- 00		DRAWING NO :- LGED043
		VARIANT :- MARUTI RITZ
		DATE: 01/12/2019
		DRAWING NO :- LGED043
		NOT TO SCALE
		LAYOUT DIAGRAM FOR
		MARUTI RITZ CNG-II
		SHEET :- 1 OF 1
		DATE: 01/12/2019



International Centre for Automotive Technology
(U.K. Bharat)
KASHI VCL

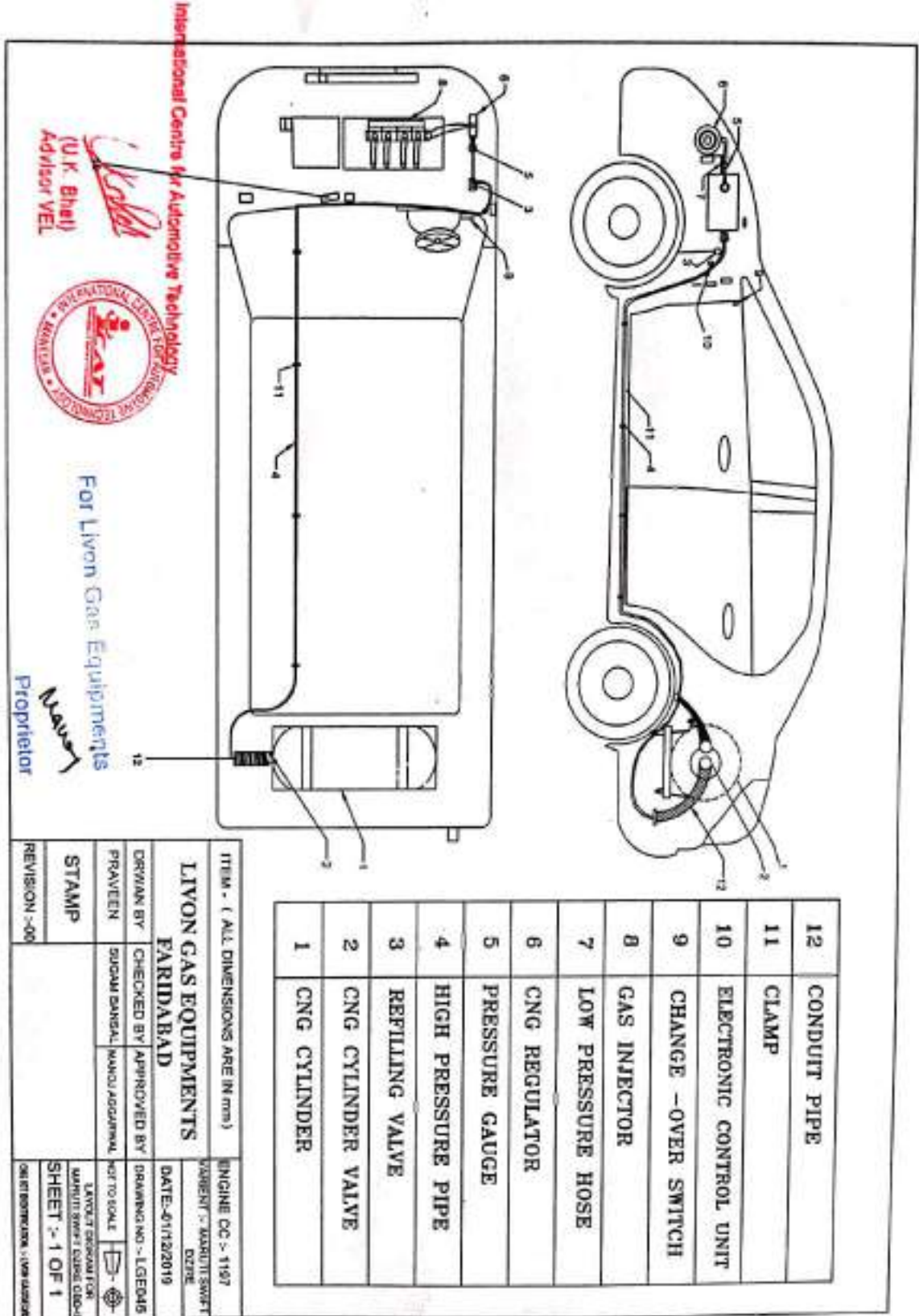


For Livon Gas Equipments

Proprietor

12	CONDUIT PIPE
11	CLAMP
10	ELECTRONIC CONTROL UNIT
9	CHANGE - OVER SWITCH
8	GAS INJECTOR
7	LOW PRESSURE HOSE
6	CNG REGULATOR
5	PRESSURE GAUGE
4	HIGH PRESSURE PIPE
3	REFILLING VALVE
2	CNG CYLINDER VALVE
1	CNG CYLINDER

ITEM - (ALL DIMENSIONS ARE IN mm)		ENGINE CC :- 1197
LIVON GAS EQUIPMENTS		WARRANTY :- MARUTI SWIFT
FARIDABAD		DATE :- 01/12/2019
DRAWN BY	CHECKED BY	APPROVED BY
PRAVEEN	SUDAM DASGAL	MAHMOO AHMADHALL
STAMP	NOT TO SCALE	
REVISION :- 00	DRAWING NO :- LGE044	
LAYOUT DESIGN FOR MARUTI SWIFT (2019)		SHEET :- 1 OF 1
DGT/EDITION/01/1000/00000000		



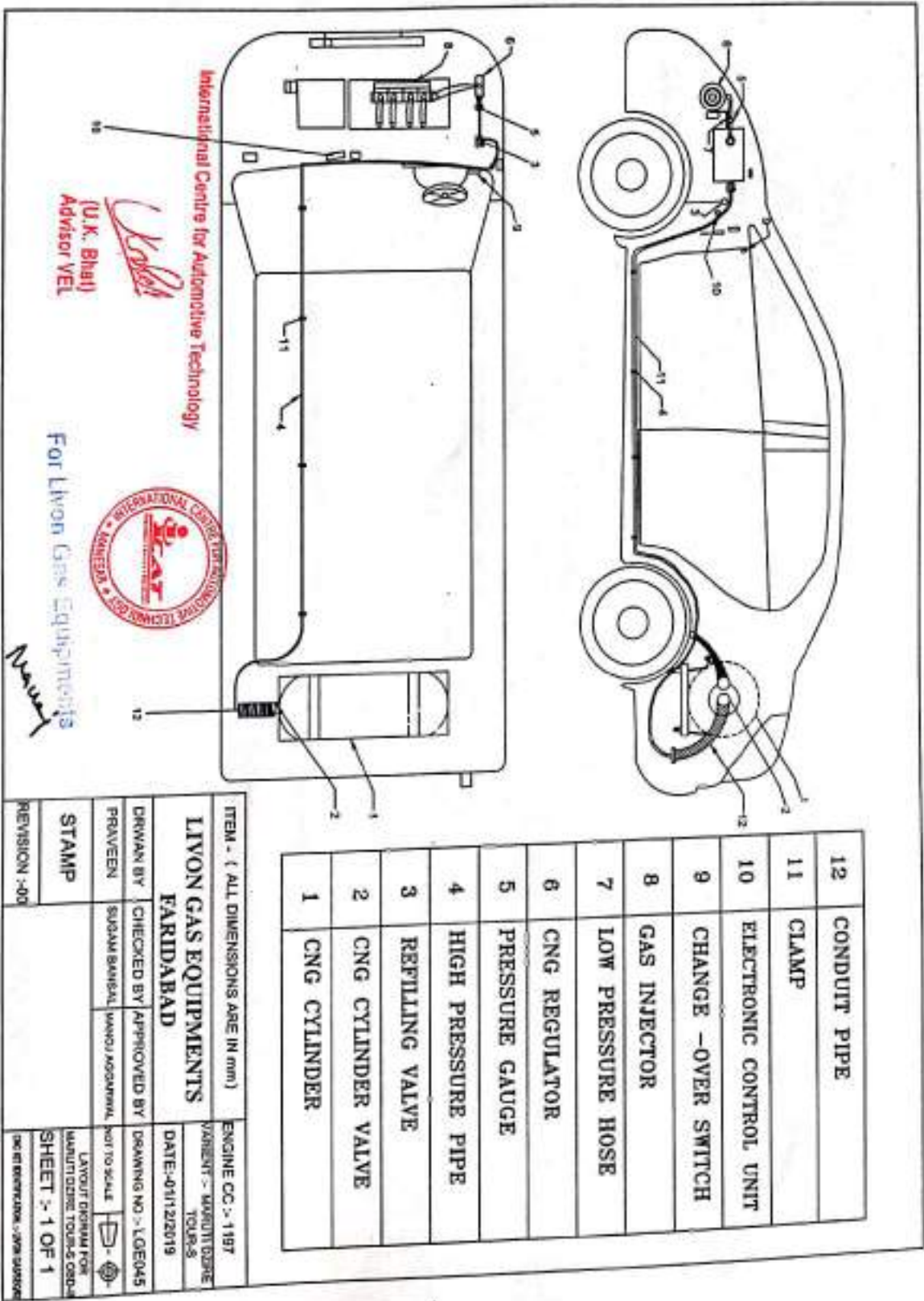
12	CONDUIT PIPE
11	CLAMP
10	ELECTRONIC CONTROL UNIT
9	CHANGE - OVER SWITCH
8	GAS INJECTOR
7	LOW PRESSURE HOSE
6	CNG REGULATOR
5	PRESSURE GAUGE
4	HIGH PRESSURE PIPE
3	REFILLING VALVE
2	CNG CYLINDER VALVE
1	CNG CYLINDER

ITEM - (ALL DIMENSIONS ARE IN mm)		ENGINE CC - 1197
LIVON GAS EQUIPMENTS		MANUFACTURER - KARROTT SWIFT
FARIDABAD		DATE - 01/12/2019
DRAWN BY	CHECKED BY	APPROVED BY
PRAVEEN	SUDHAN DANGAL	MANOJ AGARWAL
STAMP	DRAWING NO - LGE046	
REVISION -00	DATE - 01/12/2019	
	SHEET - 1 OF 1	
	DATE - 01/12/2019	

International Centre for Automotive Technology
(U.K. Bhat)
Advisor VET



For Livon Gas Equipments
Proprietor



12	CONDUIT PIPE
11	CLAMP
10	ELECTRONIC CONTROL UNIT
9	CHANGE --OVER SWITCH
8	GAS INJECTOR
7	LOW PRESSURE HOSE
6	CNG REGULATOR
5	PRESSURE GAUGE
4	HIGH PRESSURE PIPE
3	REFILLING VALVE
2	CNG CYLINDER VALVE
1	CNG CYLINDER

ITEM - (ALL DIMENSIONS ARE IN mm)		ENGINE CC :- 1197
LIVON GAS EQUIPMENTS FARIDABAD		VARIANT :- MAHOUTI ENGINE TQ-8-S
DRAWN BY PRAVEEN	CHECKED BY SUSAM BANISAL	DATE:-01/12/2019
APPROVED BY [Signature]	MANOU AGGARWAL	DRAWING NO :- LGE045
STAMP		NOT TO SCALE
REVISION :-00		LAYOUT DESIGN FOR MANUFACTURE TQ-8-S-CNG
		SHEET :- 1 OF 1
		DATE OF REVISION :- 01/12/2019

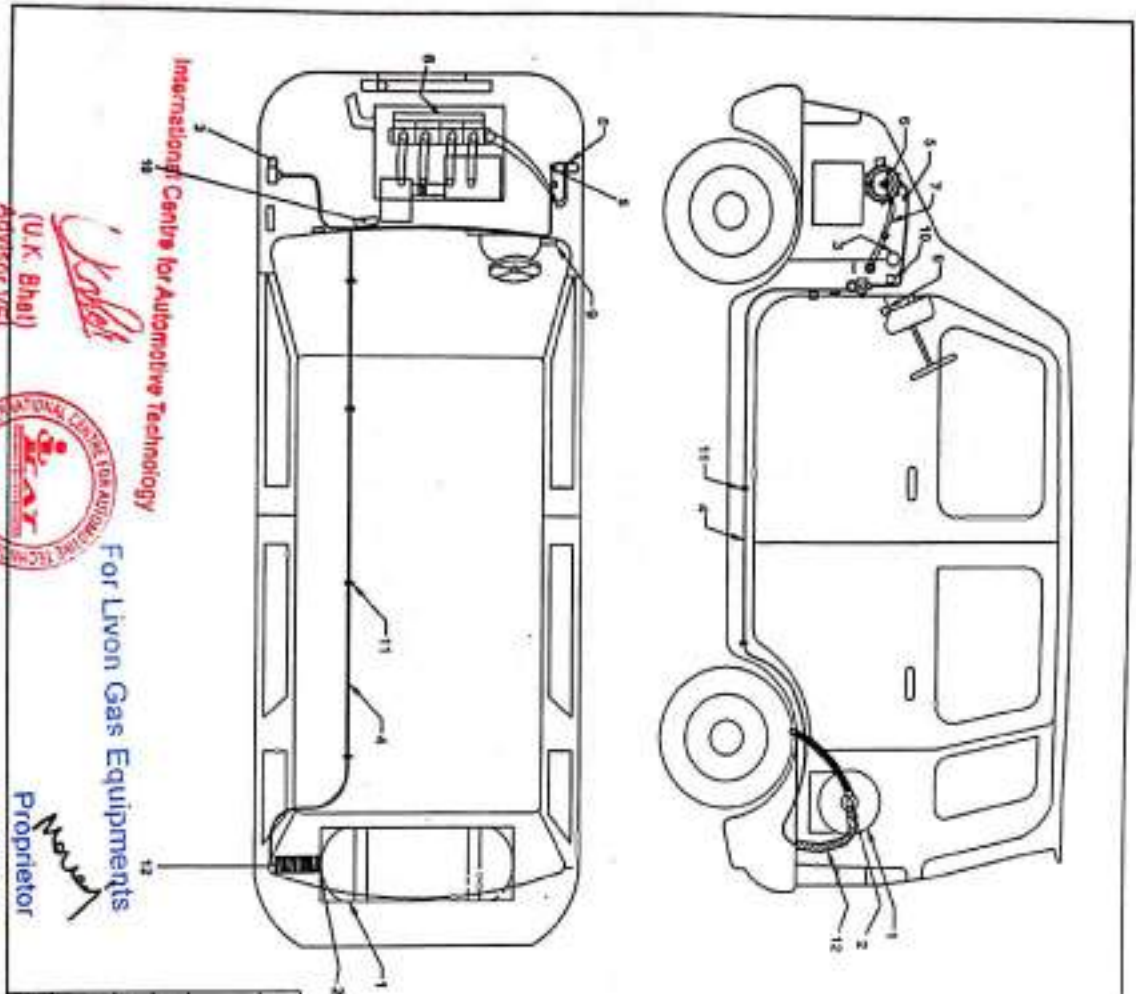
Proprietor

For Livon Gas Equipments



(U.K. Bhat)
Advisor VEL

International Centre for Automotive Technology



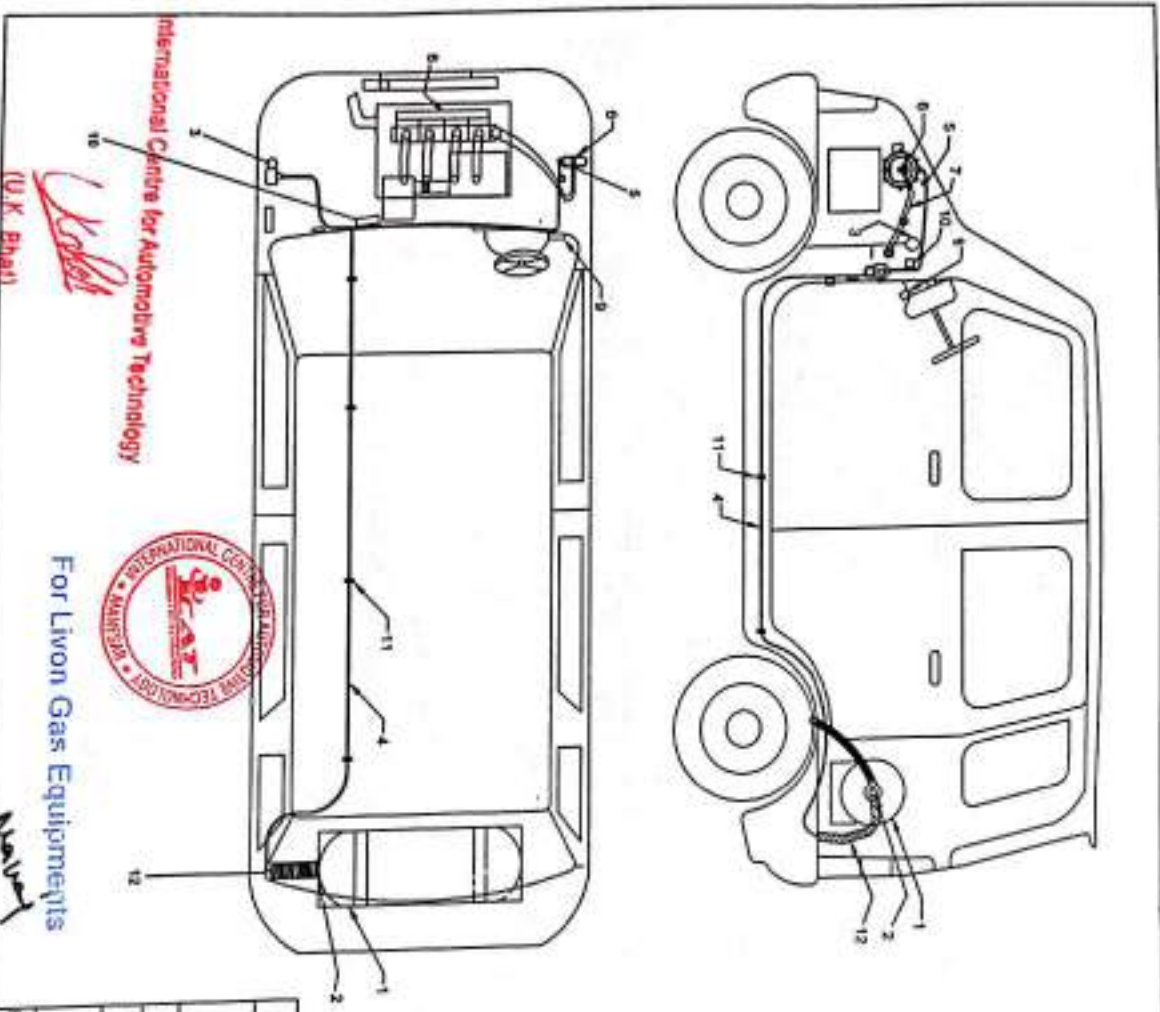
International Centre for Automotive Technology
 (U.K. Bharti)
 ADVISOR VET



For Livon Gas Equipments
 Proprietor

12	CONDUIT PIPE
11	CLAMP
10	ELECTRONIC CONTROL UNIT
9	CHANGE - OVER SWITCH
8	GAS INJECTOR
7	LOW PRESSURE HOSE
6	CNG REGULATOR
5	PRESSURE GAUGE
4	HIGH PRESSURE PIPE
3	REFILLING VALVE
2	CNG CYLINDER VALVE
1	CNG CYLINDER

ITEM - (ALL DIMENSIONS ARE IN mm)		ENGINE CC :- 996
LIVON GAS EQUIPMENTS		PARTS :- MARUTI WAGON
FARDABAD		DATE:-01/12/2019
DRAWN BY	CHECKED BY	APPROVED BY
PRAVEEN	SUDAM BANJAL	MANOJ AGGARWAL
STAMP	DRAWING NO. :- LGE047	
REVISION :-00	NOT TO SCALE	
	LAYOUT DESIGN FOR MARUTI WAGON CNG	
	SHEET :- 1 OF 1	
	DATE OF SUBMISSION :- 12/12/2019	



International Centre for Automotive Technology
(U.K. Bhat)
Advisor VET

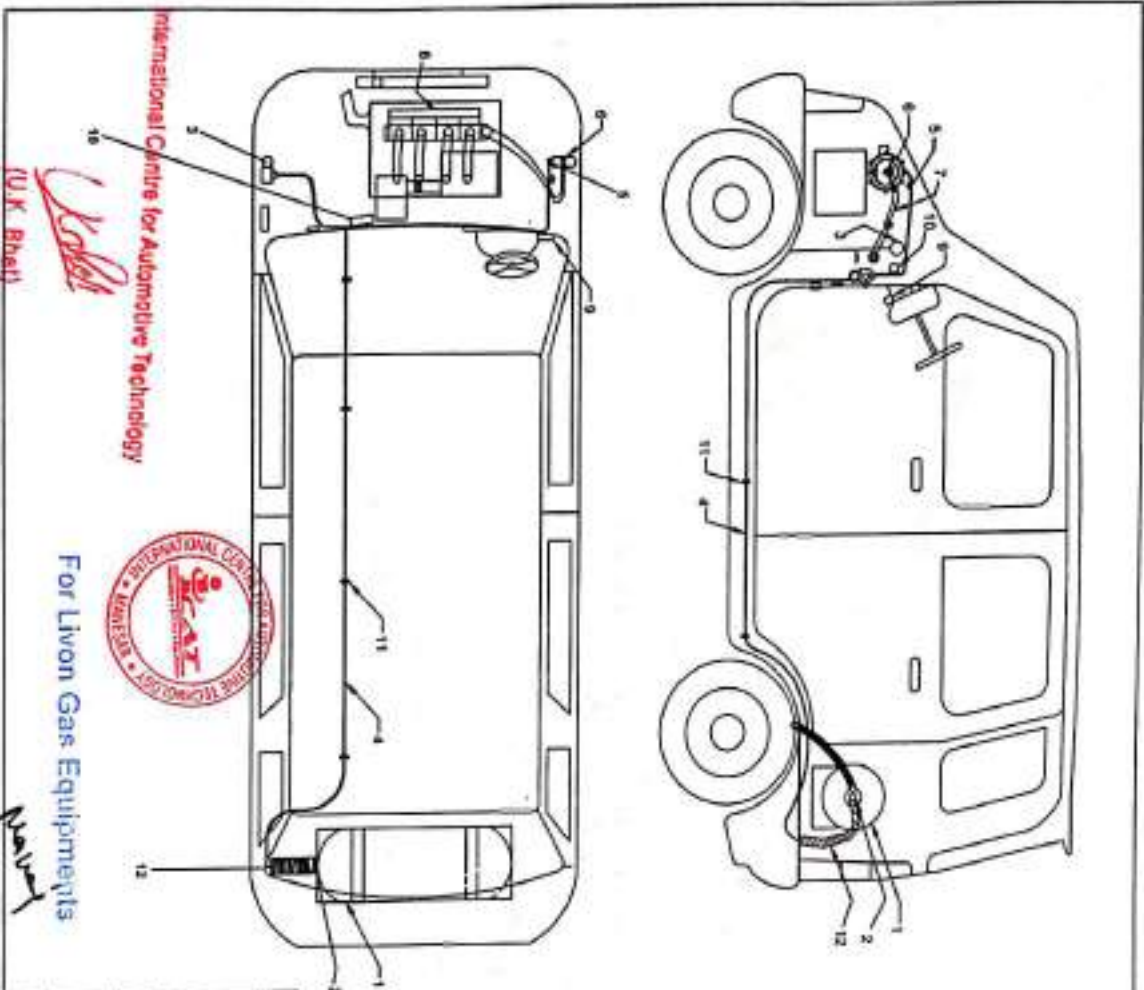


For Livon Gas Equipments

Proprietor

12	CONDUIT PIPE
11	CLAMP
10	ELECTRONIC CONTROL UNIT
9	CHANGE -OVER SWITCH
8	GAS INJECTOR
7	LOW PRESSURE HOSE
6	CNG REGULATOR
5	PRESSURE GAUGE
4	HIGH PRESSURE PIPE
3	REFILLING VALVE
2	CNG CYLINDER VALVE
1	CNG CYLINDER

ITEM - (ALL DIMENSIONS ARE IN mm)		ENGINE CC :- 998
LIVON GAS EQUIPMENTS		MANUFACTURER :- BANGLORE STRONGWAY
FARIDABAD		DATE :- 01/12/2019
DRAWN BY	CHECKED BY	APPROVED BY
PRAVEEN	SUCAM BANBAL	MANOJ AGGARWAL
STAMP	DRAWING NO :- LGEM48	
REVISION :-00	NOT TO SCALE	
	SHEET :- 1 OF 1	
	DATE OF EXPIRATION :- 1 YEAR	



International Centre for Automotive Technology
 (UK Bhat)
 Advisor VET

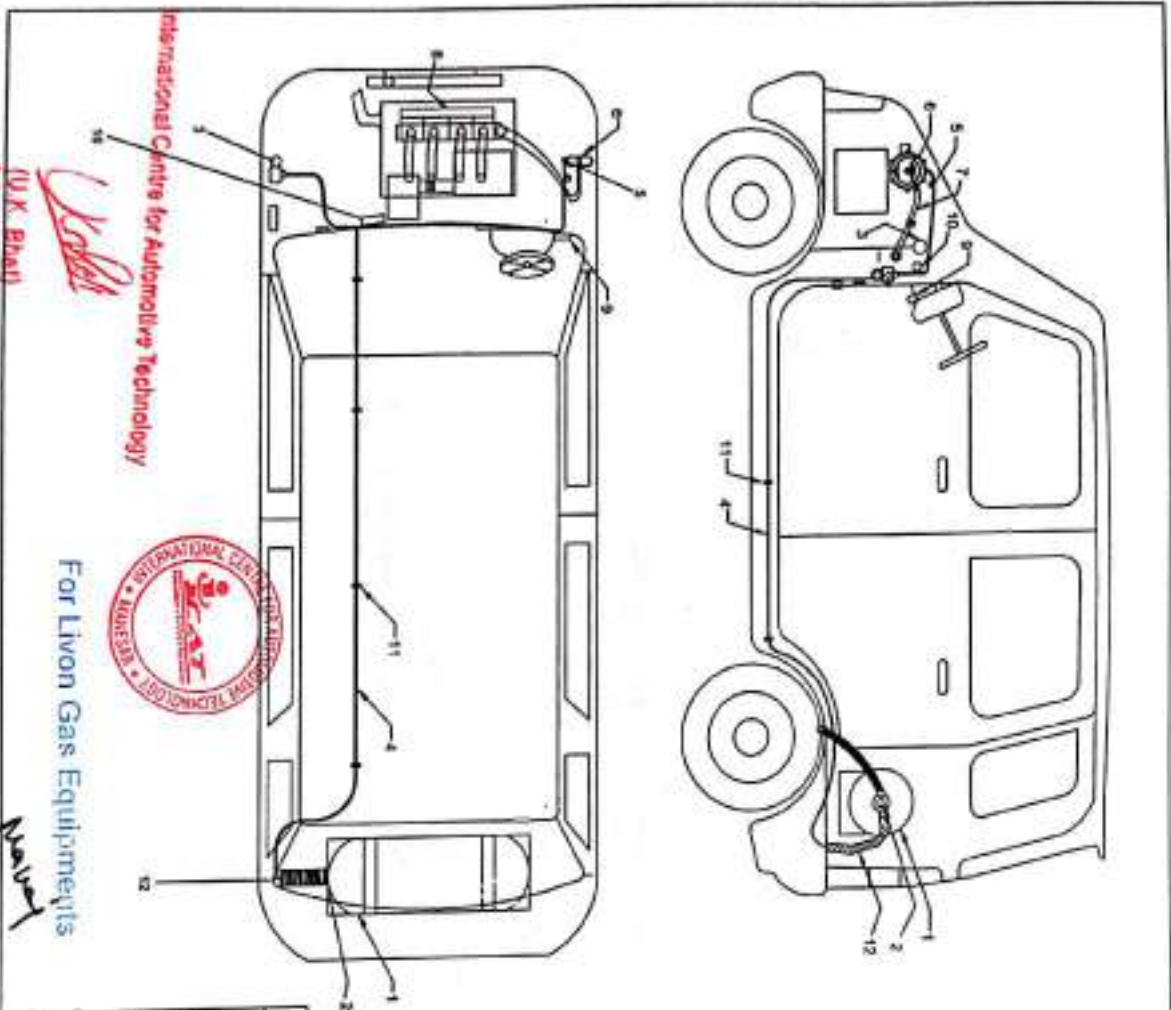


For Livon Gas Equipments

Proprietor

12	CONDUIT PIPE
11	CLAMP
10	ELECTRONIC CONTROL UNIT
9	CHANGE - OVER SWITCH
8	GAS INJECTOR
7	LOW PRESSURE HOSE
6	CNG REGULATOR
5	PRESSURE GAUGE
4	HIGH PRESSURE PIPE
3	REFILLING VALVE
2	CNG CYLINDER VALVE
1	CNG CYLINDER

ITEM - (ALL DIMENSIONS ARE IN mm)		ENGINE CC :- 896
LIVON GAS EQUIPMENTS		MANUFACTURER :- M/S/VTI INDIA/COM
FARIDABAD		STRENGTH :-
DRAWN BY	CHECKED BY	APPROVED BY
PRABEEN	SUDAM BHANSAL	MANUJ AGRAWAL
STAMP	DATE :- 01/12/2019	
REVISION :-00	DRAWING NO :- LGE048	
	NOT TO SCALE	
	SHEET :- 1 OF 1	
	DATE EXPIRES :- 01/01/2020	



International Centre for Automotive Technology
(U.K. Bhat)
Advisor VET



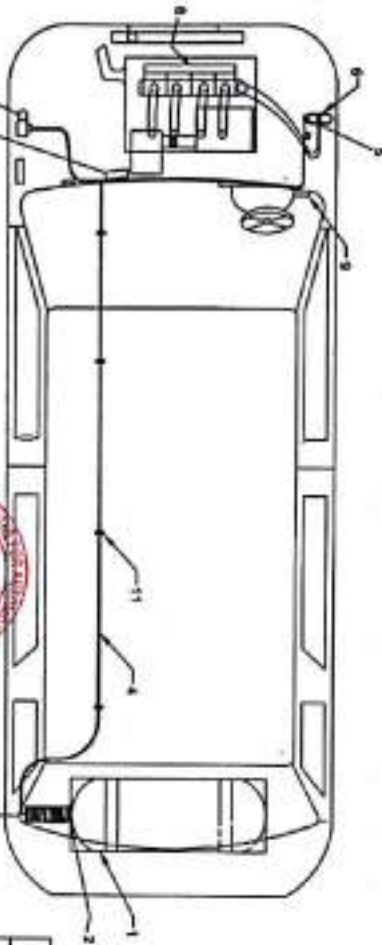
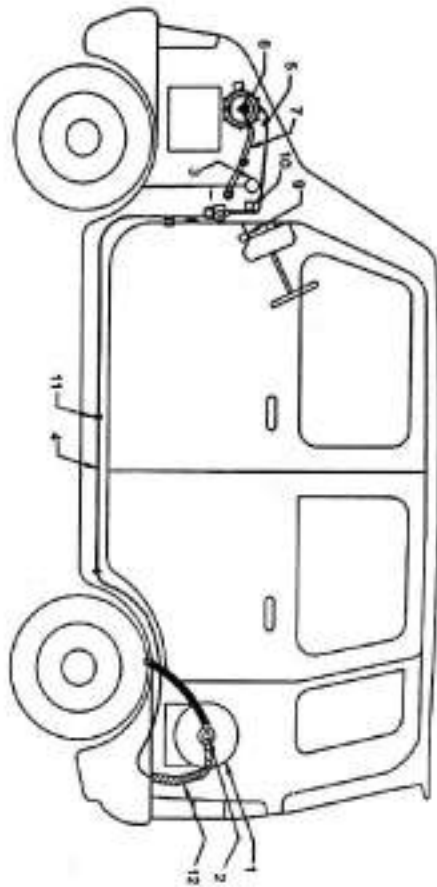
For Livon Gas Equipments

Proprietor

12	CONDUIT PIPE
11	CLAMP
10	ELECTRONIC CONTROL UNIT
9	CHANGE --OVER SWITCH
8	GAS INJECTOR
7	LOW PRESSURE HOSE
6	CNG REGULATOR
5	PRESSURE GAUGE
4	HIGH PRESSURE PIPE
3	REFILLING VALVE
2	CNG CYLINDER VALVE
1	CNG CYLINDER

ITEM - (ALL DIMENSIONS ARE IN mm)		ENGINE CC :- 995
LIVON GAS EQUIPMENTS		
FARIDABAD		
DRAWN BY	CHECKED BY	APPROVED BY
PRAVEEN	SUGAM BANSAL	MANOJ AGGARWAL
STAMP	NOT TO SCALE	DRAWING NO :- LGEM8
REVISION :-00		DATE:-01/12/2019
		DATE OF CONSTRUCTION :- JUNE 2020

SHEET :- 1 OF 1

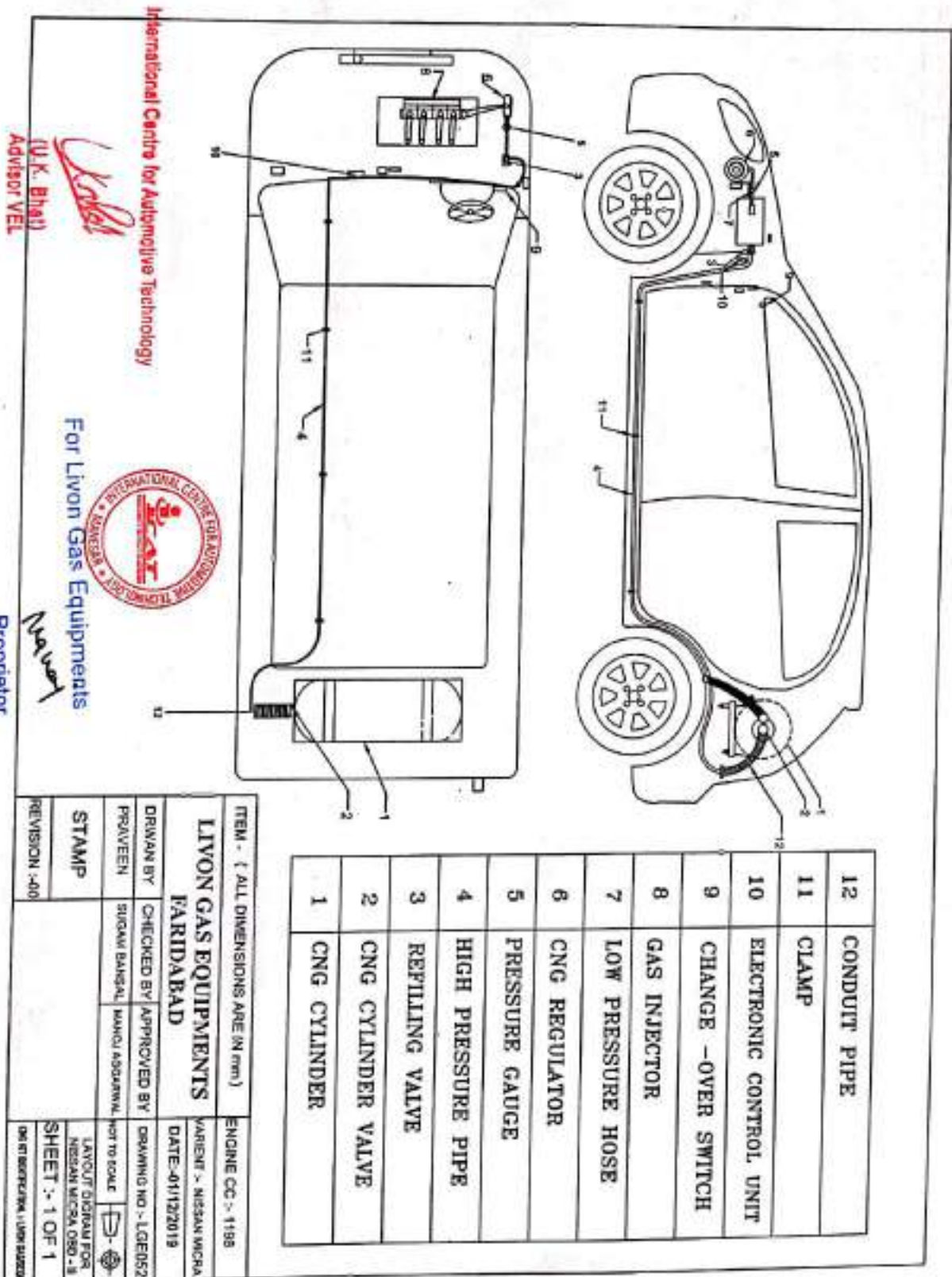


12	CONDUIT PIPE
11	CLAMP
10	ELECTRONIC CONTROL UNIT
9	CHANGE --OVER SWITCH
8	GAS INJECTOR
7	LOW PRESSURE HOSE
6	CNG REGULATOR
5	PRESSURE GAUGE
4	HIGH PRESSURE PIPE
3	REFILLING VALVE
2	CNG CYLINDER VALVE
1	CNG CYLINDER

ITEM - (ALL DIMENSIONS ARE IN mm)		ENGINE CC :- 995
LIVON GAS EQUIPMENTS		DESIGNER :- KANAK TIWARI/SONU SHRESTHA
FARIDABAD		DATE :- 01/12/2019
DRAWN BY	CHECKED BY	APPROVED BY
PRAVEEN	SUDAM BANSAL	MANU AGARWAL
STAMP		DRAWING NO :- LGEOM
REVISION :-00		NOT TO SCALE
		LAST DATE FOR
		QUALITY INSPECTION/ SIGN
		SHEET :- 1 OF 1
		DATE OF EXPIRY :- (SEE INVOICE)

International Centre for Automotive Technology
 (U K Bhatt)
 Advisor VET
 For Livon Gas Equipments
 Proprietor





12	CONDUIT PIPE
11	CLAMP
10	ELECTRONIC CONTROL UNIT
9	CHANGE -OVER SWITCH
8	GAS INJECTOR
7	LOW PRESSURE HOSE
6	CNG REGULATOR
5	PRESSURE GAUGE
4	HIGH PRESSURE PIPE
3	REFILLING VALVE
2	CNG CYLINDER VALVE
1	CNG CYLINDER

ITEM - (ALL DIMENSIONS ARE IN mm)

LIVON GAS EQUIPMENTS		ENGINE CC :- 1198
FARIDABAD		VARIENT :- NISSAN MICRA
DESIGN BY	CHECKED BY	DATE :- 01/12/2019
PROVAEEN	SUDAM BANSAL	DRAWING NO :- LGES02
	MAHOJ ABOORVAL	NOT TO SCALE
STAMP		LAYOUT DRAWING FOR NISSAN MICRA 080-18
REVISION :-00		SHEET :- 1 OF 1
		DO NOT DESTROY THIS DRAWING

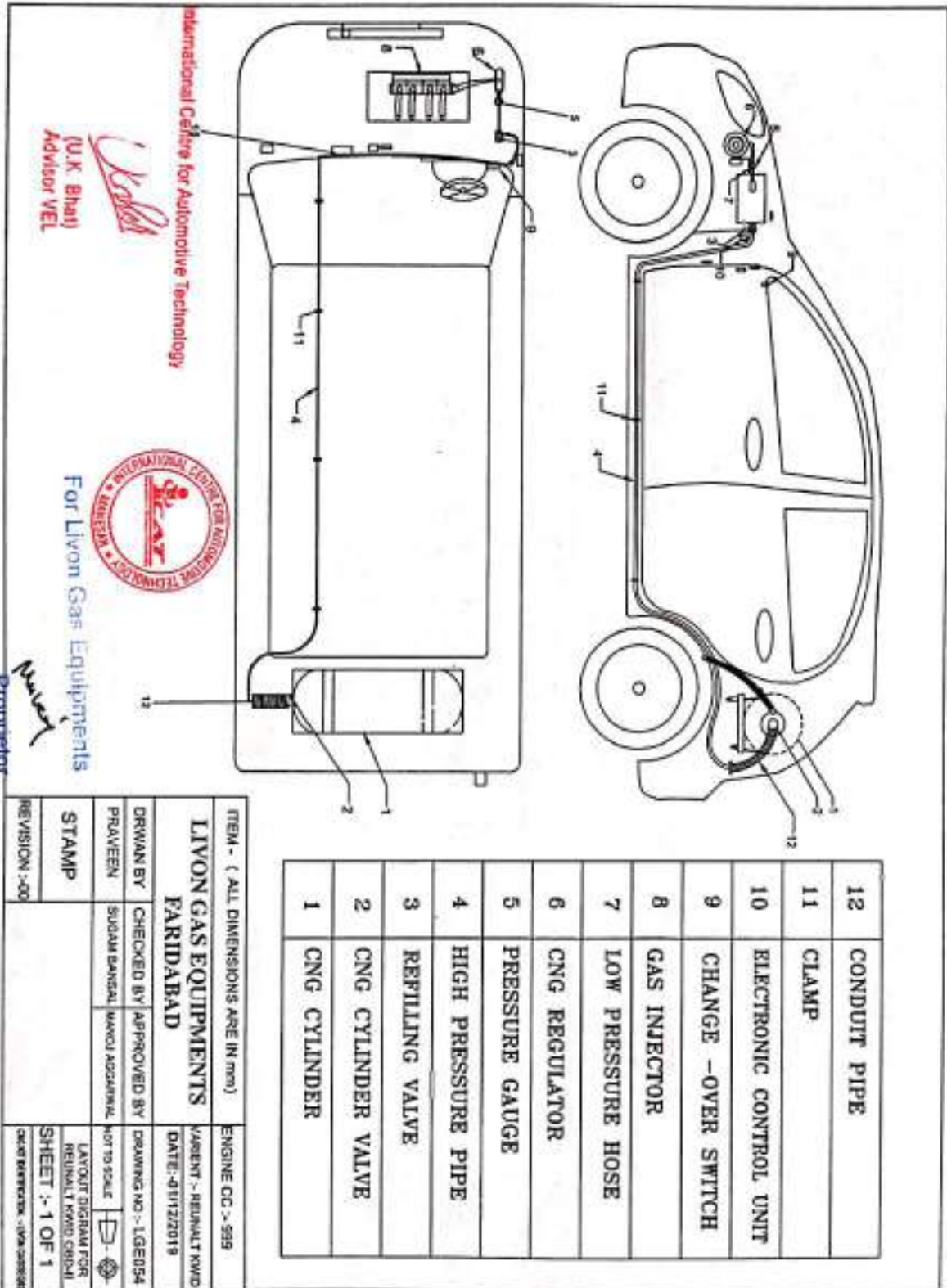
International Centre for Automotive Technology



For Livon Gas Equipments

(U.K. Bhai)
Advisor VEL

Proprietor



12	CONDUIT PIPE
11	CLAMP
10	ELECTRONIC CONTROL UNIT
9	CHANGE - OVER SWITCH
8	GAS INJECTOR
7	LOW PRESSURE HOSE
6	CNG REGULATOR
5	PRESSURE GAUGE
4	HIGH PRESSURE PIPE
3	REFILLING VALVE
2	CNG CYLINDER VALVE
1	CNG CYLINDER

ITEM - (ALL DIMENSIONS ARE IN mm)		ENGINE CC :- 599
LIVON GAS EQUIPMENTS		AGENT :- REHVALT KWD
FARIDABAD		DATE :- 01/12/2019
DRAWN BY	CHECKED BY	APPROVED BY
PRAVEEN	SUDAM BANSAL	MANOJ AGGARWAL
DRAWING NO :- LGED054		NOT TO SCALE
LAYOUT DIAGRAM FOR REHVALT KWD CNG CI		
STAMP		SHEET :- 1 OF 1
REVISION :-00		DATE REVISION :- / /

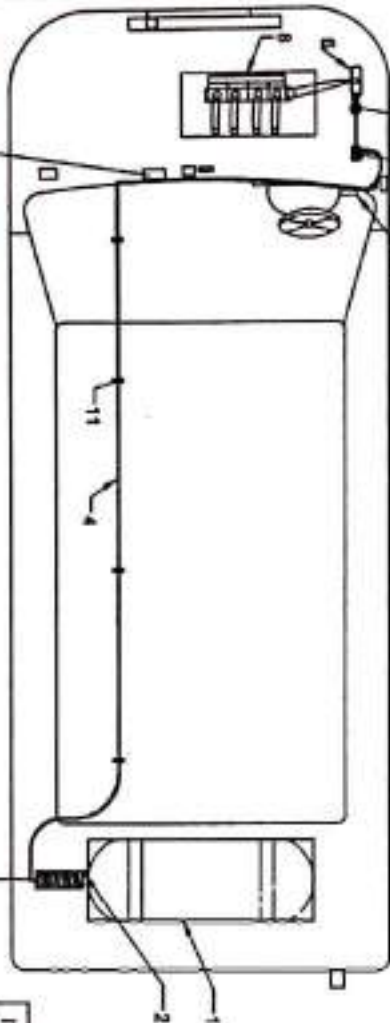
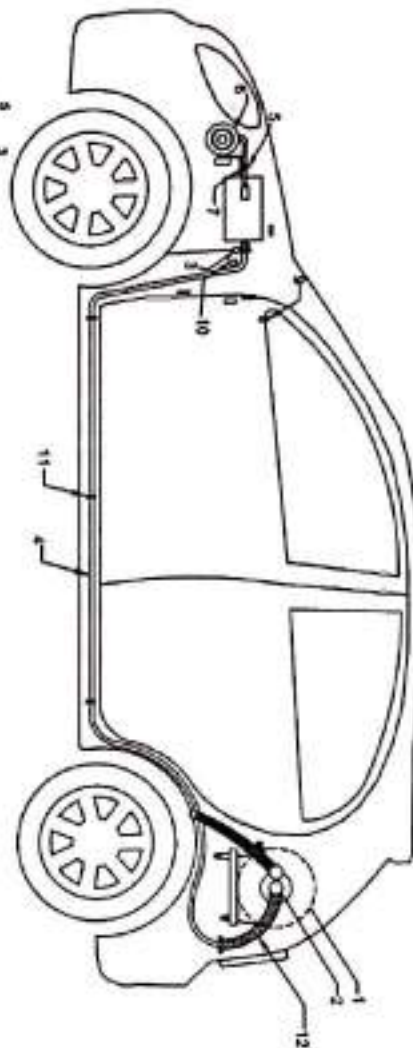
Proprietor
Nabeel

For Livon Gas Equipments



(U.K. Bhat)
Advisor VET

International Centre for Automotive Technology



12	CONDUIT PIPE
11	CLAMP
10	ELECTRONIC CONTROL UNIT
9	CHANGE - OVER SWITCH
8	GAS INJECTOR
7	LOW PRESSURE HOSE
6	CNG REGULATOR
5	PRESSURE GAUGE
4	HIGH PRESSURE PIPE
3	REFILLING VALVE
2	CNG CYLINDER VALVE
1	CNG CYLINDER

International Centre for Automotive Technology

(U.K. Bhat)
Advisor VET



For Livon Gas Equipments

Proprietor

ITEM - (ALL DIMENSIONS ARE IN mm) ENGINE CC : 1198

LIVON GAS EQUIPMENTS
FARIDABAD

DATE: 01/12/2019

MODEL : RENAULT PULSE

ENGINE NO - LGED055

DRIVEN BY

CHECKED BY

APPROVED BY

PRAVEEN

SUGAM BANSAL

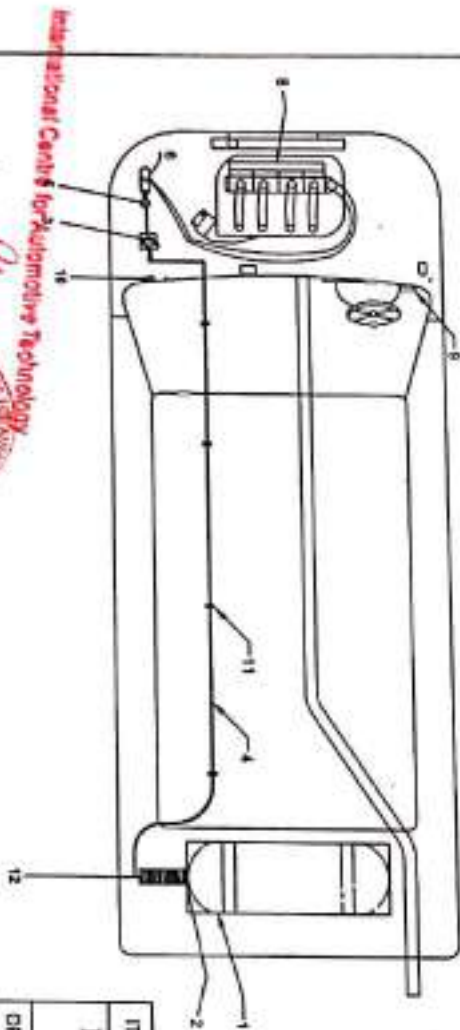
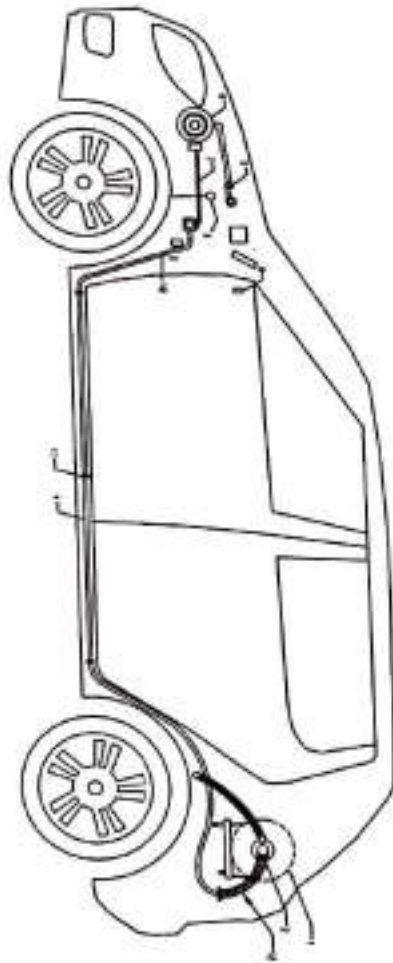
NOT TO SCALE

LAYOUT DESIGNER FOR

RENAULT PULSE (800L)

SHEET - 1 OF 1

REVISION : 00



(U.K. Bhatt)
Advisor VET



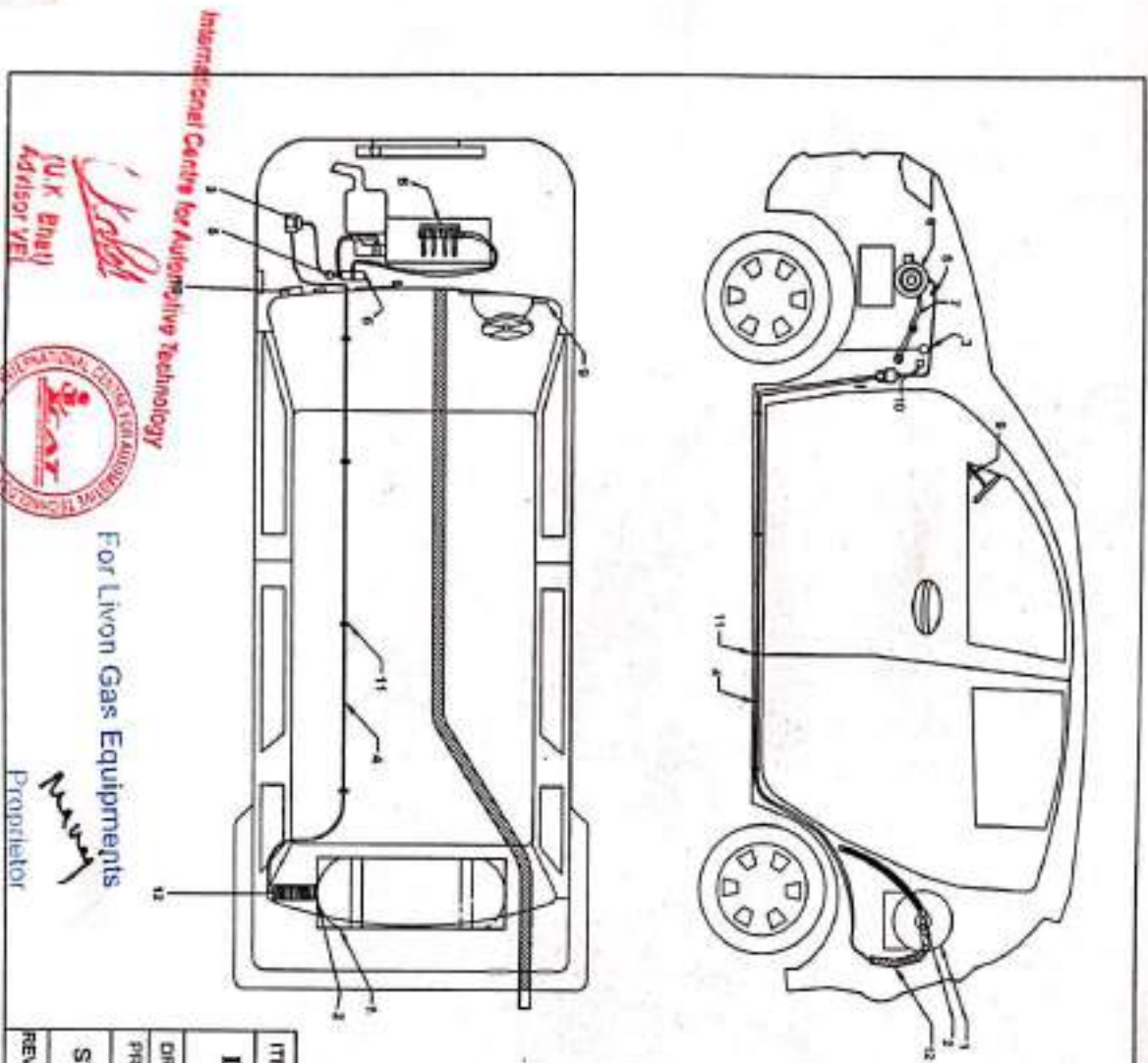
International Centre for Automotive Technology

For Livon Gas Equipments

Proprietor

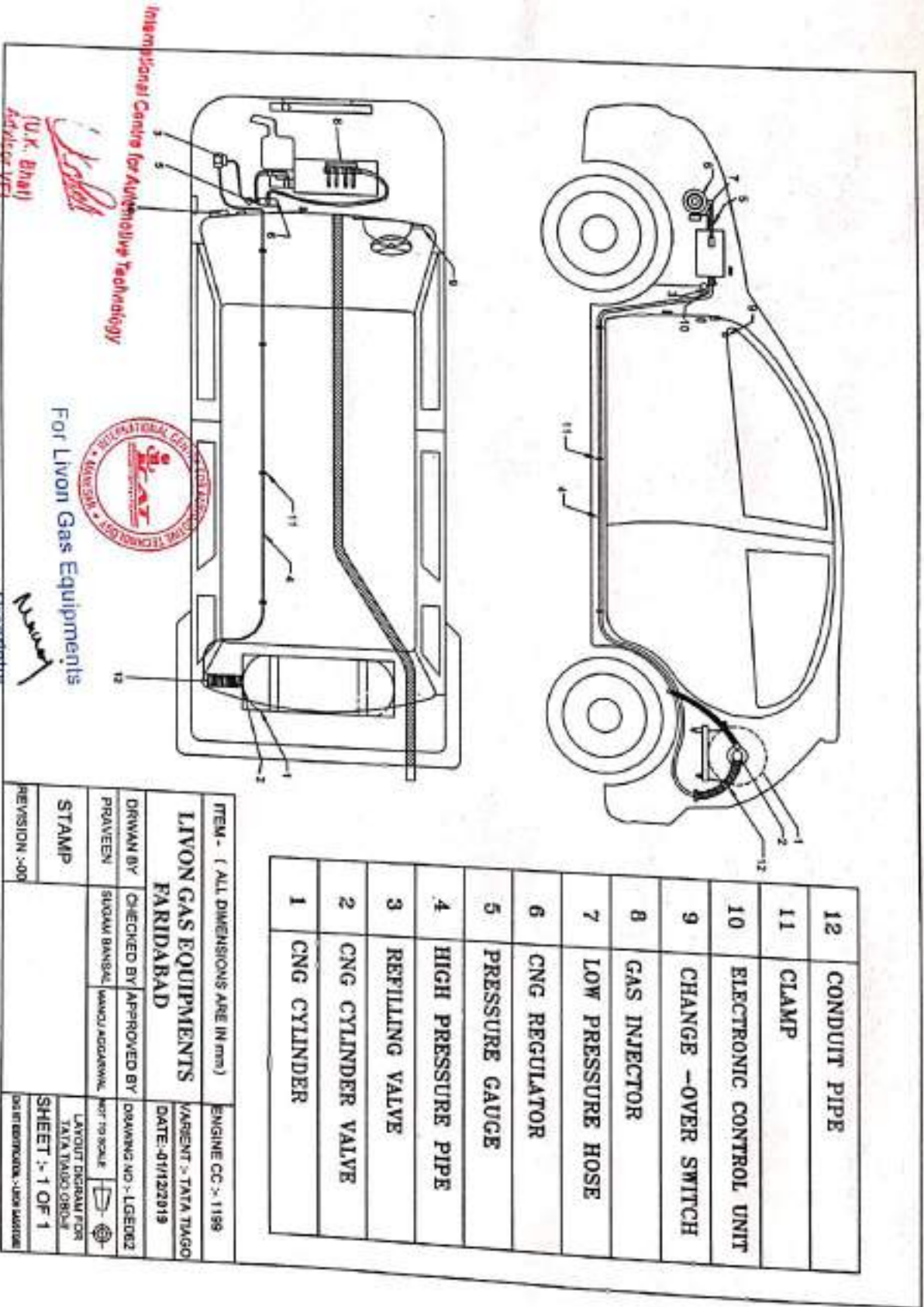
12	CONDUIT PIPE
11	CLAMP
10	ELECTRONIC CONTROL UNIT
9	CHANGE -OVER SWITCH
8	GAS INJECTOR
7	LOW PRESSURE HOSE
6	CNG REGULATOR
5	PRESSURE GAUGE
4	HIGH PRESSURE PIPE
3	REFILLING VALVE
2	CNG CYLINDER VALVE
1	CNG CYLINDER

ITEM - (ALL DIMENSIONS ARE IN mm.)		ENGINE CC - 1198
LIVON GAS EQUIPMENTS		VARIANT - SKODA FABIA
FARIDABAD		DATE - 01/12/2019
DRAWN BY	CHECKED BY	APPROVED BY
PRAVEEN	SUSAN SANSAL	MANOJ AGGARWAL
STAMP	DRAWING NO - LGE056	
REVISION - 00	NOT TO SCALE	
LAYOUT DIGITAL FOR SKODA FABIA ORDI		SHEET - 1 OF 1
DOI BIRBHARWA - 1001025001		



12	CONDUIT PIPE
11	CLAMP
10	ELECTRONIC CONTROL UNIT
9	CHANGE -OVER SWITCH
8	GAS INJECTOR
7	LOW PRESSURE HOSE
6	CNG REGULATOR
5	PRESSURE GAUGE
4	HIGH PRESSURE PIPE
3	REFILLING VALVE
2	CNG CYLINDER VALVE
1	CNG CYLINDER

ITEM - (ALL DIMENSIONS ARE IN mm)		ENGINE CC > 1190	
LIVON GAS EQUIPMENTS		VARIANT - TATA NEXON	
FARIDABAD		DATE - 01/12/2019	
DRAWN BY	CHECKED BY	APPROVED BY	DRAWING NO. - LGE005
PRABEN	SUBASH BANSHAL	UNNATI AGGARWAL	NOT TO SCALE
STAMP		LAYOUT DESIGN FOR TATA NEXON ORDI	
REVISION : 00		SHEET - 1 OF 1	
		DATE OF DRAWING : 12/01/2019	



International Centre for Automotive Technology
(U.K. Bhatt)
Advisor IVEI

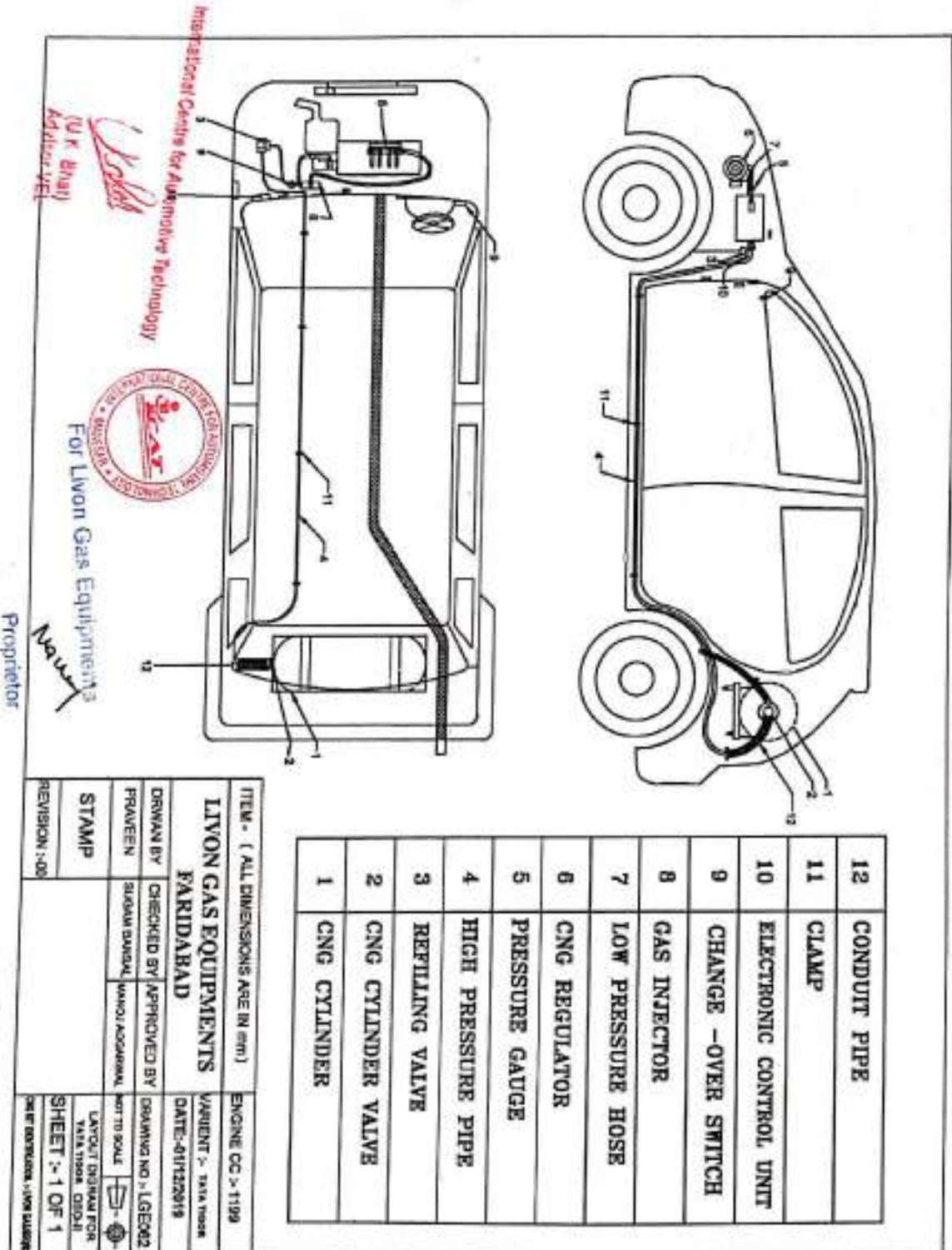


For Livon Gas Equipments

Proprietor

12	CONDUIT PIPE
11	CLAMP
10	ELECTRONIC CONTROL UNIT
9	CHANGE -OVER SWITCH
8	GAS INJECTOR
7	LOW PRESSURE HOSE
6	CNG REGULATOR
5	PRESSURE GAUGE
4	HIGH PRESSURE PIPE
3	REFILLING VALVE
2	CNG CYLINDER VALVE
1	CNG CYLINDER

ITEM - (ALL DIMENSIONS ARE IN mm)		ENGINE CC :- 1199
LIVON GAS EQUIPMENTS		
FARIDABAD		
DRAWN BY	CHECKED BY	APPROVED BY
PRAVEEN	SIDDHANT BANSAL	MANOJ AGRAWAL
STAMP	DRAWING NO :- LGE062	
REVISION :-00	SHEET :- 1 OF 1	
	DATE :- 01/12/2019	
	VARIANT :- TATA TIGO	
	FOR TO SCALE	
	LAYOUT DRAWING FOR TATA TIGO CNG	
	DATE OF ESTIMATION :- 01/12/2019	



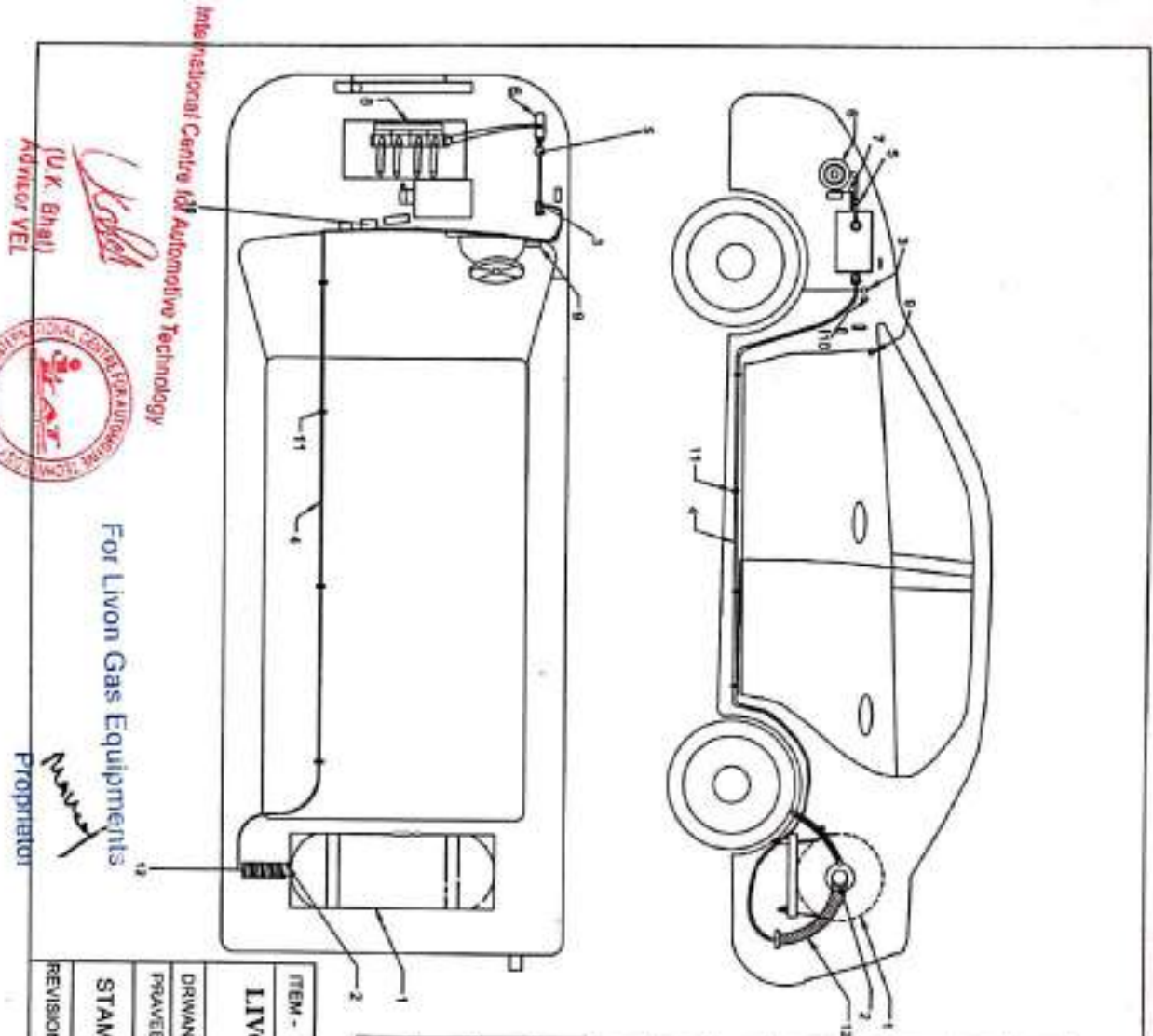
International Centre for Automotive Technology
 (U.K. Bharti)
 Additior: YFI



For Livon Gas Equipments

Proprietor

ITEM - (ALL DIMENSIONS ARE IN mm)		ENGINE CC > 1199
LIVON GAS EQUIPMENTS		
FARIDABAD		
DRAWN BY	CHECKED BY	APPROVED BY
PRAVEEN	SUDHANU SANGAL	MANOJ AGGARWAL
STAMP	DRAWING NO. - LGED02	
REVISION : 00	DATE: 01/12/2019	
	VARIANT :- TATA TIGOR	
	DRAWING NO. - LGED02	
	SHEET :- 1 OF 1	
	DATE OF ISSUE :- 11/09/2019	



12	CONDUIT PIPE
11	CLAMP
10	ELECTRONIC CONTROL UNIT
9	CHANGE -OVER SWITCH
8	GAS INJECTOR
7	LOW PRESSURE HOSE
6	CNG REGULATOR
5	PRESSURE GAUGE
4	HIGH PRESSURE PIPE
3	REFILLING VALVE
2	CNG CYLINDER VALVE
1	CNG CYLINDER

ITEM - (ALL DIMENSIONS ARE IN mm) ENGINE CC - 1193

LIVON GAS EQUIPMENTS FARIDABAD

VARIANT - TATA ZEST
DATE - 01/12/2019

DRWEN BY: SUDAM BANSAL
CHECKED BY: HARJU AGGARWAL
APPROVED BY: [Signature]

DRAWING NO - LGED068
DATE TO SCALE: [Symbol]

STAMP: [Stamp]

REVISION - 00

SHEET :- 1 OF 1

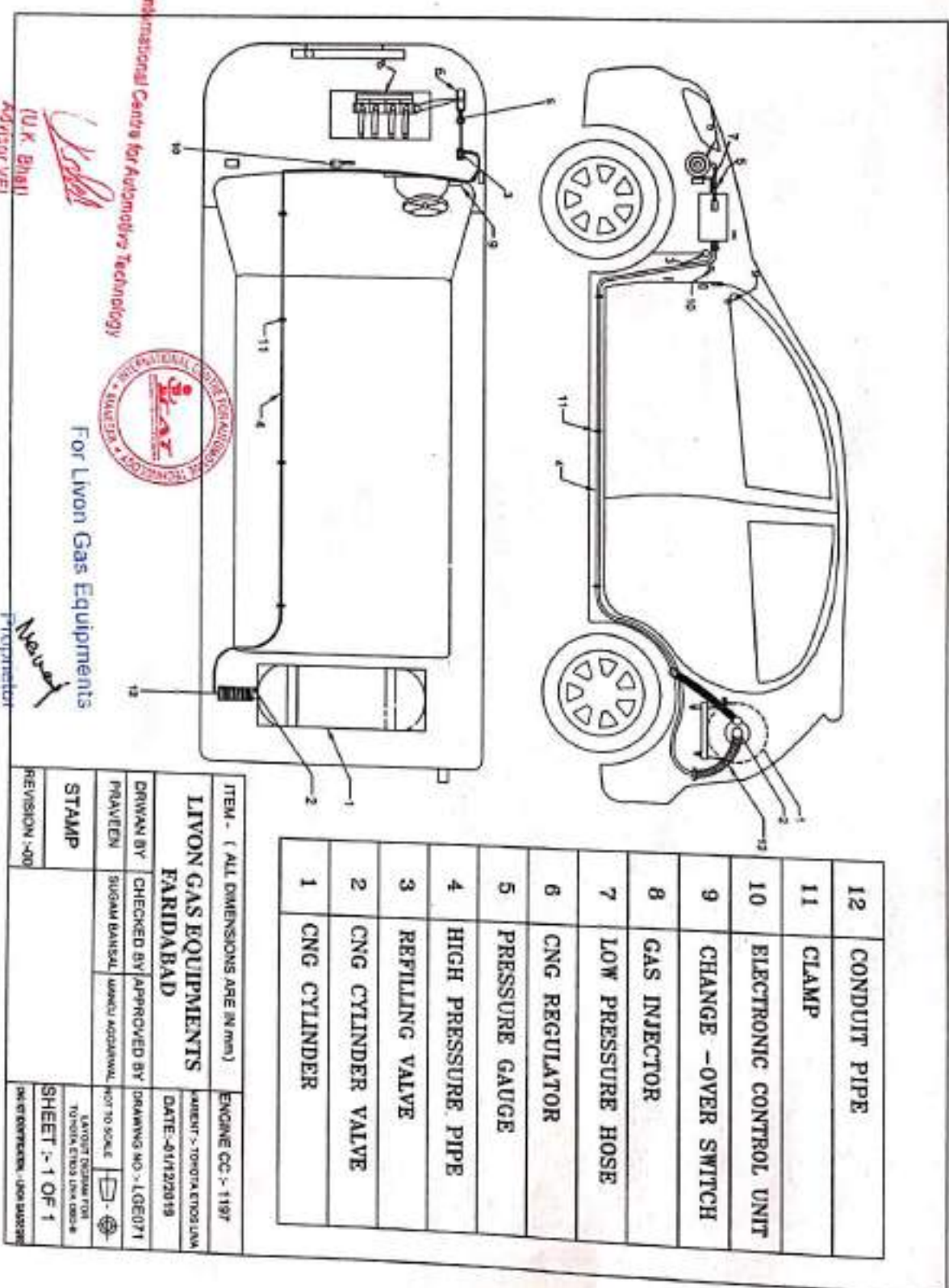
International Centre for Automotive Technology

(U.K. Ghaj) Advisor VET

For Livon Gas Equipments

Proprietor





12	CONDUIT PIPE
11	CLAMP
10	ELECTRONIC CONTROL UNIT
9	CHANGE - OVER SWITCH
8	GAS INJECTOR
7	LOW PRESSURE HOSE
6	CNG REGULATOR
5	PRESSURE GAUGE
4	HIGH PRESSURE PIPE
3	REFILLING VALVE
2	CNG CYLINDER VALVE
1	CNG CYLINDER

International Centre for Automotive Technology

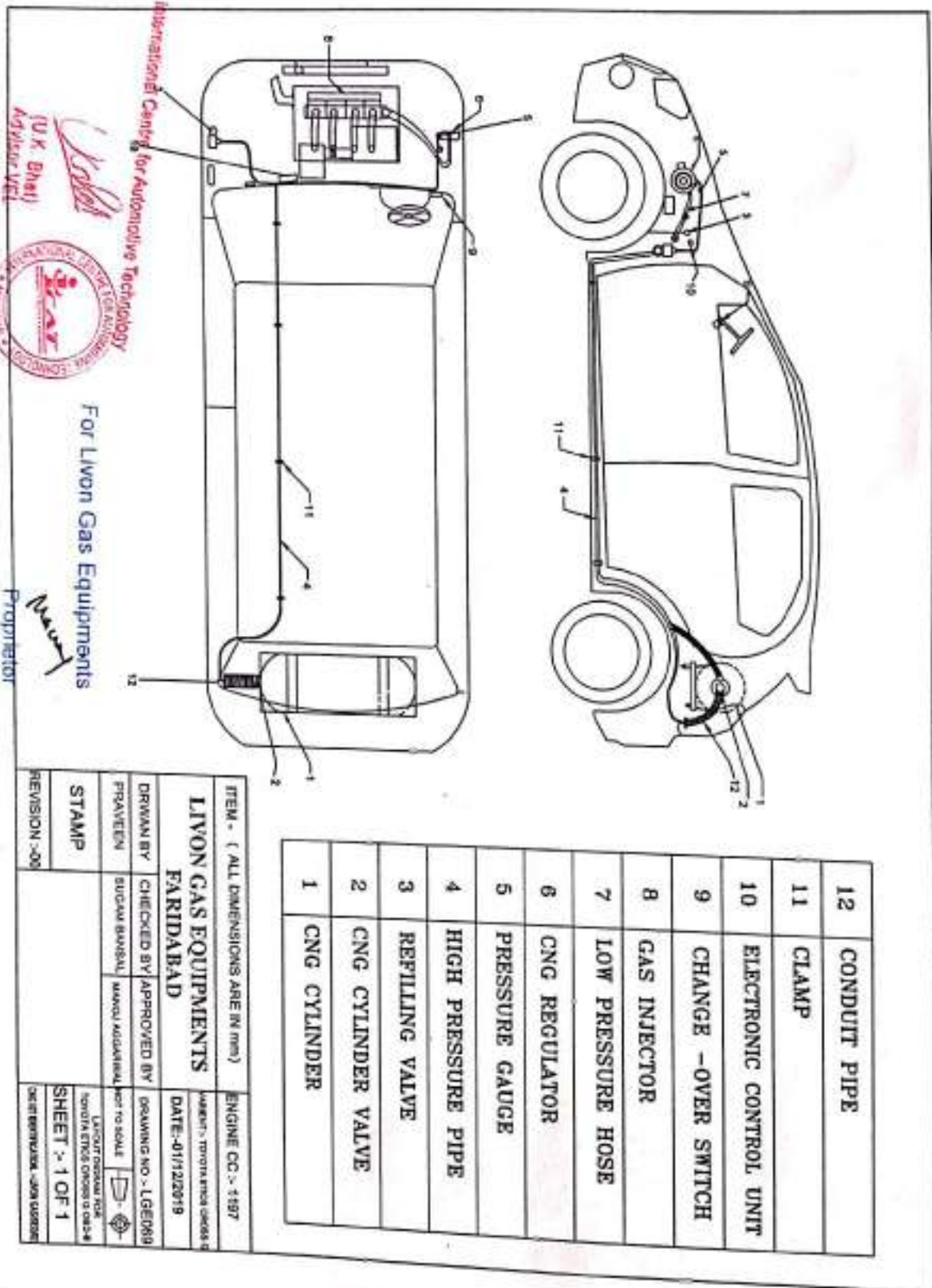


For Livon Gas Equipments

(U.K. Bhatti)
Advisor VET

Naresh
Proprietor

ITEM - (ALL DIMENSIONS ARE IN mm)		ENGINE CC - 1197
LIVON GAS EQUIPMENTS		
FARIDABAD		
DRWEN BY	CHECKED BY	APPROVED BY
PRAYVEN	SUGAM BANSAI	MANU AGGARWAL
DRAWING NO. - LG0071		DATE - 01/12/2019
NOT TO SCALE		LAYOUT DESIGN FOR TONYA ETRO LINK DEC-18
STAMP		SHEET - 1 OF 1
REVISION -00		DATE OF REVISION - 00/00/00



International Centre for Automotive Technology
(U.K. Bhat)
Advisor VET

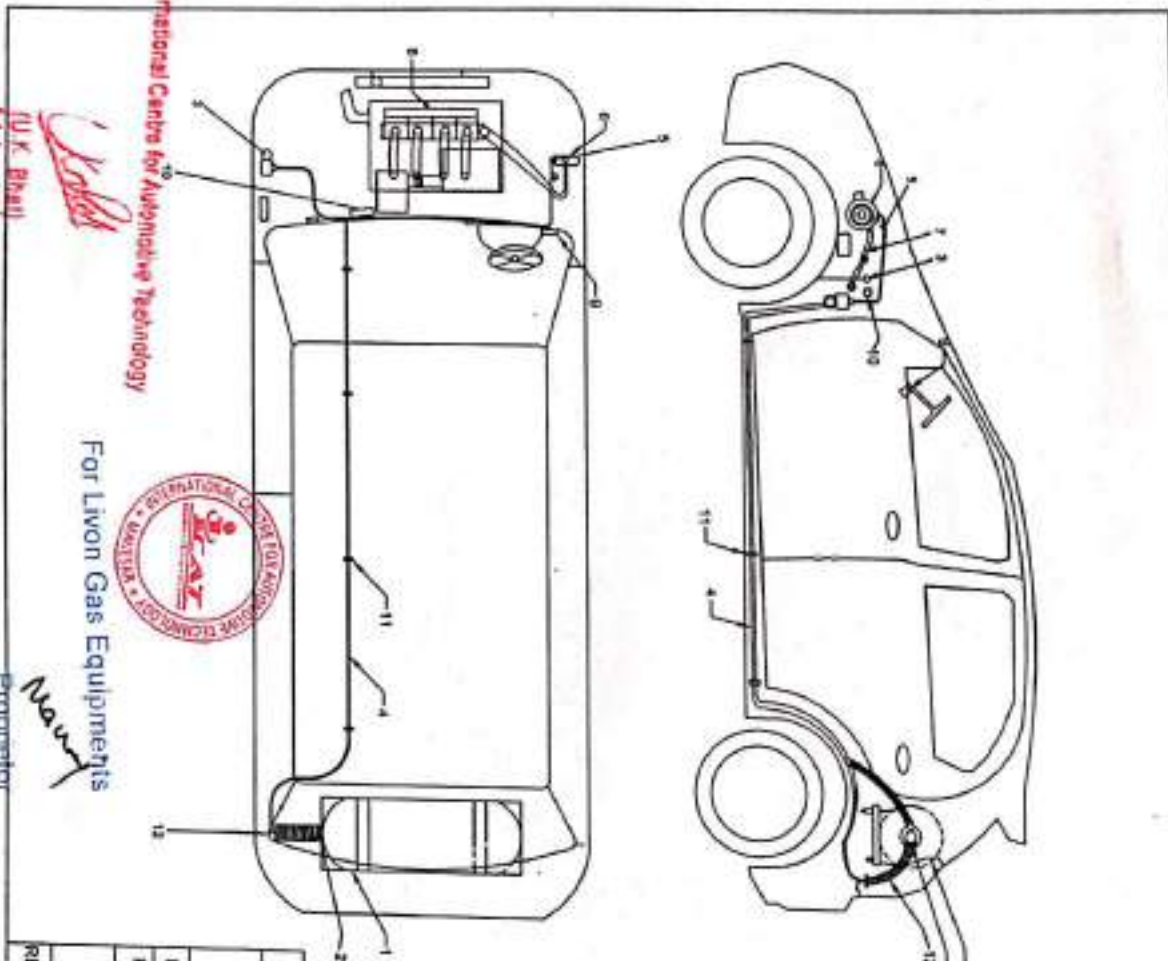
For Livon Gas Equipments

Proprietor



12	CONDUIT PIPE
11	CLAMP
10	ELECTRONIC CONTROL UNIT
9	CHANGE - OVER SWITCH
8	GAS INJECTOR
7	LOW PRESSURE HOSE
6	CNG REGULATOR
5	PRESSURE GAUGE
4	HIGH PRESSURE PIPE
3	REFILLING VALVE
2	CNG CYLINDER VALVE
1	CNG CYLINDER

ITEM - (ALL DIMENSIONS ARE IN mm)		ENGINE CC :- 1197
LIVON GAS EQUIPMENTS		
FARIDABAD		
DRAWN BY	CHECKED BY	APPROVED BY
PRAVEEN	SUGAL BANSAAL	MANU AGGARWAL
STAMP		
REVISION -00		
DATE:-01/12/2019		DRAWING NO :- LGEM88
SHEET :- 1 OF 1		SCALE :- 1:1
DESIGNER:-SUGAL BANSAAL		DATE OF APPROVAL :- 01/12/2019



International Centre for Adaptive Technology
 I.T. K. Bhatt
 Advisor VET

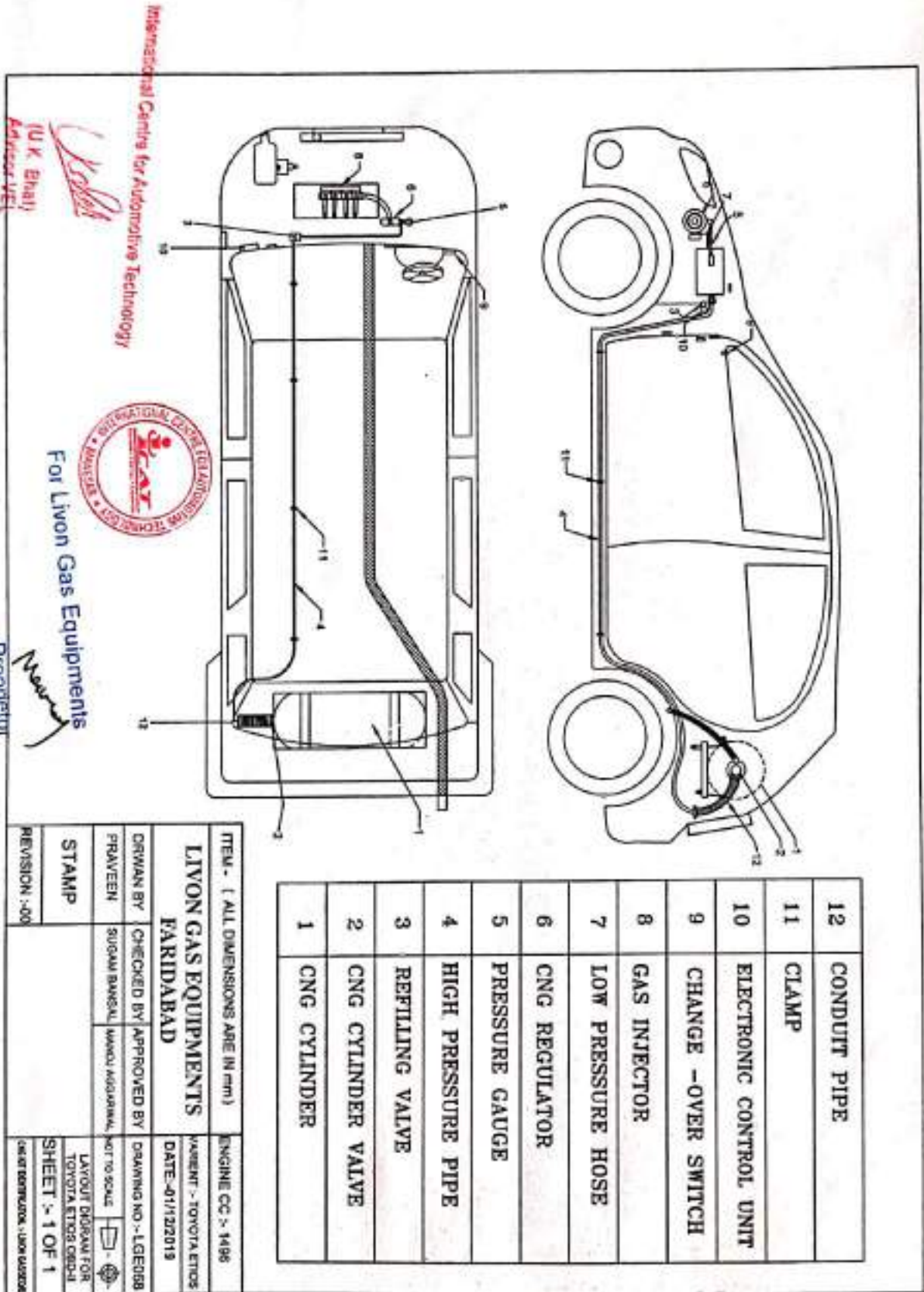


For Livon Gas Equipments

Proprietor *Navy*

12	CONDUIT PIPE
11	CLAMP
10	ELECTRONIC CONTROL UNIT
9	CHANGE - OVER SWITCH
8	GAS INJECTOR
7	LOW PRESSURE HOSE
6	CNG REGULATOR
5	PRESSURE GAUGE
4	HIGH PRESSURE PIPE
3	REFILLING VALVE
2	CNG CYLINDER VALVE
1	CNG CYLINDER

ITEM - (ALL DIMENSIONS ARE IN mm)		ENGINE CC > 1496
LIVON GAS EQUIPMENTS FARIDABAD		
DRWEN BY	CHECKED BY	APPROVED BY
PRAYEEN	SUDHANU BANERJEE	MANOJ AGARWAL
STAMP	DRAWING NO - L1EED70	
REVISION - 00	DATE - 01/12/2019	
NOT TO SCALE		LAYOUT DRAWING FOR
SHEET :- 1 OF 1		TOYOTA ETROS CROSS V CNG II
DATE: 01/12/2019		SCALE: 1:1



12	CONDUIT PIPE
11	CLAMP
10	ELECTRONIC CONTROL UNIT
9	CHANGE -OVER SWITCH
8	GAS INJECTOR
7	LOW PRESSURE HOSE
6	CNG REGULATOR
5	PRESSURE GAUGE
4	HIGH PRESSURE PIPE
3	REFILLING VALVE
2	CNG CYLINDER VALVE
1	CNG CYLINDER

ITEM - (ALL DIMENSIONS ARE IN mm)		ENGINE CC - 1496
LIVON GAS EQUIPMENTS		
FARIDABAD		
DRAWN BY	CHECKED BY	APPROVED BY
PRAVEEN	SUDAM BANGAL	MANOJ AGGARWAL
STAMP	DRAWING NO. - LGED098	
REVISION -00	DATE -07/12/2019	
	SHEET NO. - 1 OF 1	
	LAYOUT DESIGN FOR TOYOTA ETIOS C90-4	
	SHEET NO. - 1 OF 1	
	DATE -07/12/2019	

(U.K. Bhat)
Advisor VET



For Livon Gas Equipments

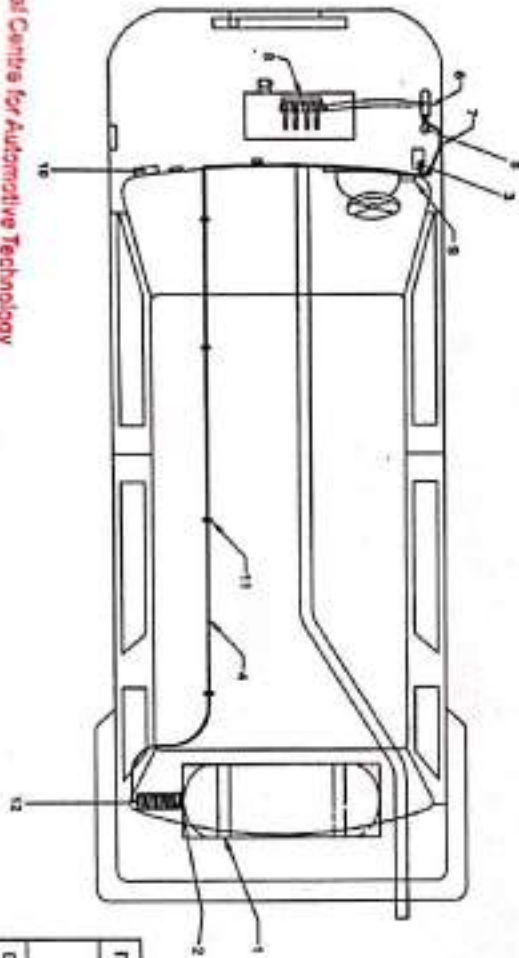
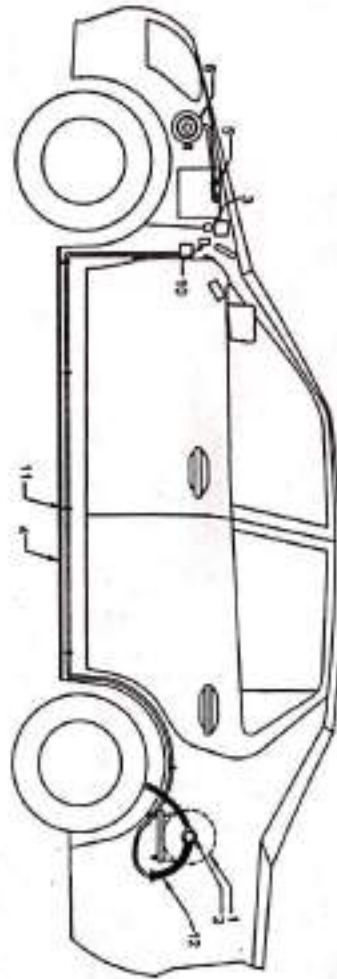
Proprietor

International Centre for Automotive Technology

(U.K. Ghel)
Advisor VET

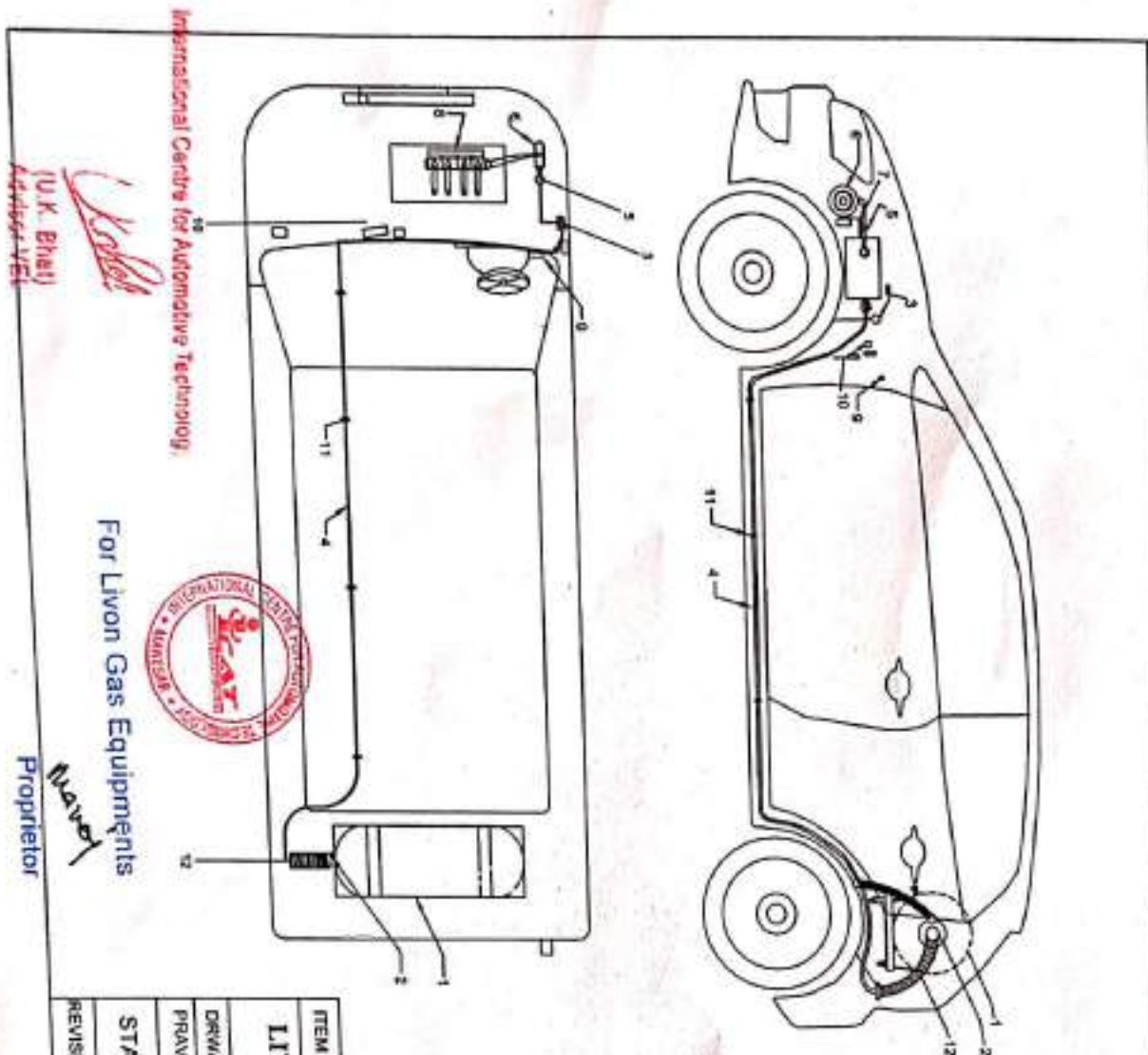


For Livon Gas Equipments
Naveed
Proprietor



12	CONDUIT PIPE
11	CLAMP
10	ELECTRONIC CONTROL UNIT
9	CHANGE -OVER SWITCH
8	GAS INJECTOR
7	LOW PRESSURE HOSE
6	CNG REGULATOR
5	PRESSURE GAUGE
4	HIGH PRESSURE PIPE
3	REFILLING VALVE
2	CNG CYLINDER VALVE
1	CNG CYLINDER

ITEM - (ALL DIMENSIONS ARE IN mm)		ENGINE CC - 1198
LIVON GAS EQUIPMENTS		
FARIDABAD		
DRAWN BY	CHECKED BY	APPROVED BY
PRABEEN	SUDHAN BANISAL	MAROUJ AKASHIMAH
STAMP	DRAWING NO - LGED073	
REVISION :00	DATE - 4/11/2019	
NOT TO SCALE		LIVON GAS EQUIPMENTS FOR VEHICLE NO. 200-4
SHEET :- 1 OF 1		DATE OF REPORT :- 11/24/2019



U.K. Bhaiji
 Advisor-VET

International Centre for Automotive Technology

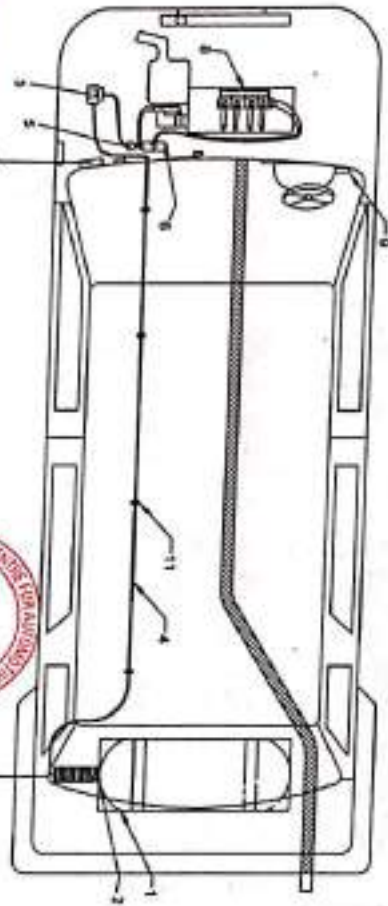
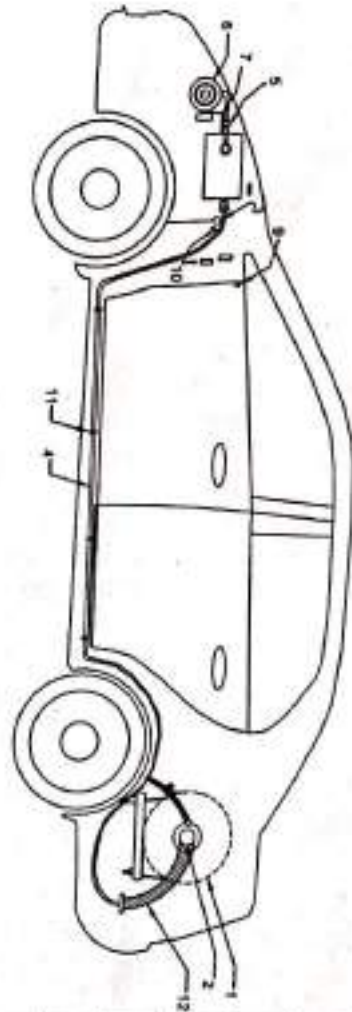
For Livon Gas Equipments



Navay
 Proprietor

12	CONDUIT PIPE
11	CLAMP
10	ELECTRONIC CONTROL UNIT
9	CHANGE -OVER SWITCH
8	GAS INJECTOR
7	LOW PRESSURE HOSE
6	CNG REGULATOR
5	PRESSURE GAUGE
4	HIGH PRESSURE PIPE
3	REFILLING VALVE
2	CNG CYLINDER VALVE
1	CNG CYLINDER

ITEM - (ALL DIMENSIONS ARE IN mm)		ENGINE CC - 1198
LIVON GAS EQUIPMENTS		PART NO - 10030000000000
FARIDABAD		DATE :- 24/12/2019
DRAWN BY	CHECKED BY	APPROVED BY
PRAVELNI	SUDAM BANSAJI	NAVEEN KUMAR
DRAWING NO :- LGE/075		NOT TO SCALE
LIVON GAS EQUIPMENTS		LIVON GAS EQUIPMENTS
SHEET :- 1 OF 1		DATE: 24/12/2019
REVISION :- 00		



12	CONDUIT PIPE
11	CLAMP
10	ELECTRONIC CONTROL UNIT
9	CHANGE - OVER SWITCH
8	GAS INJECTOR
7	LOW PRESSURE HOSE
6	CNG REGULATOR
5	PRESSURE GAUGE
4	HIGH PRESSURE PIPE
3	REFILLING VALVE
2	CNG CYLINDER VALVE
1	CNG CYLINDER



International Centre for Automotive Technology

(Signature)
 (U. K. Bhat)
 Advisor, ICAE

For Livon Gas Equipments

(Signature)
 Proprietor

ITEM - (ALL DIMENSIONS ARE IN mm)		ENGINE CC - 1197
LIVON GAS EQUIPMENTS		
FARIDABAD		
DRAWN BY	CHECKED BY	APPROVED BY
PROVEEN	SUSIL BANSAL	MANOJ KOSHAK
STAMP	DRAWING NO - LGE076	
REVISION :00	NOT TO SCALE	
LIVON GAS EQUIPMENTS FOR		SHEET :- 1 OF 1
VIA KOMASCHI VENTRO 0004		DATE OF REVISION :- 08/08/2019